

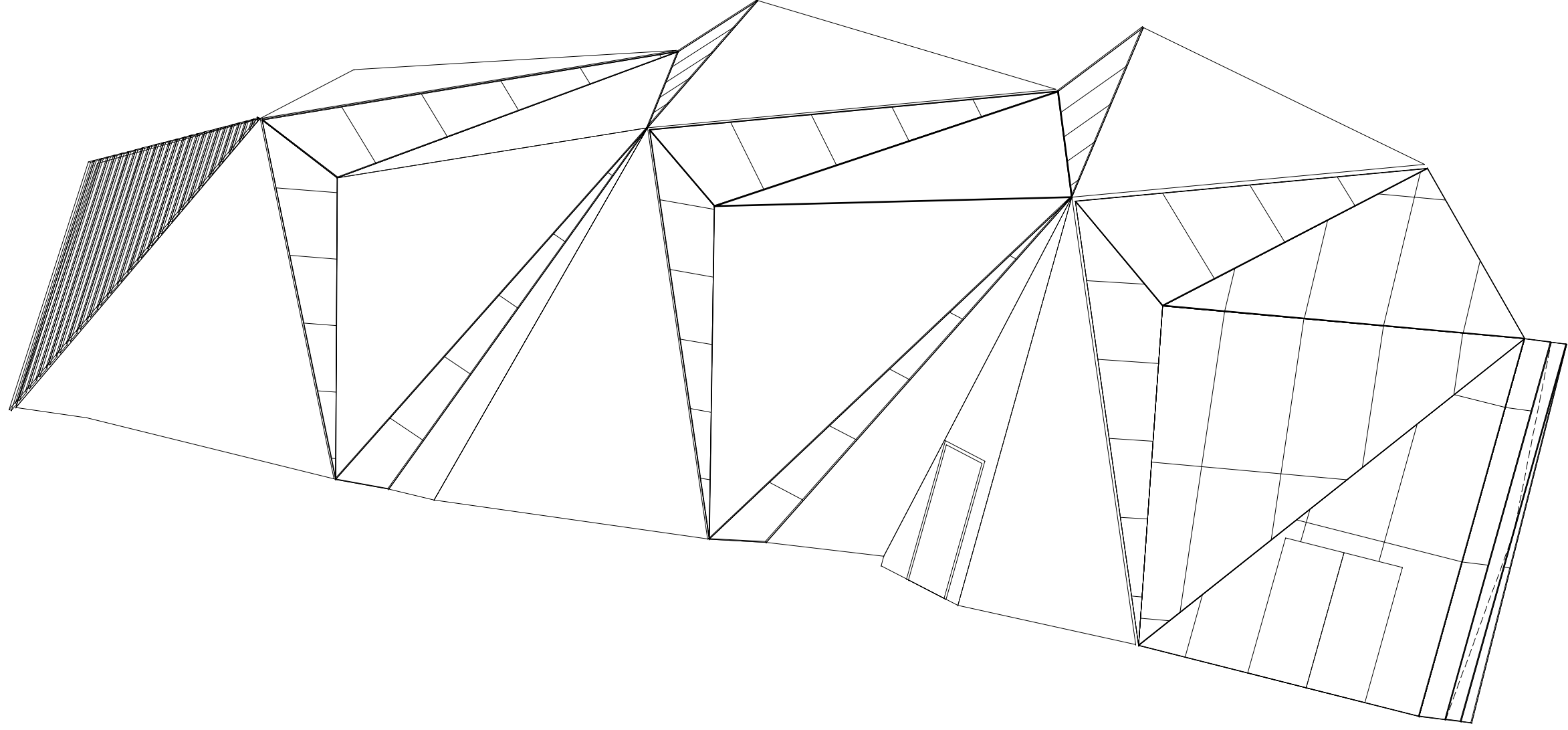
THIS PLAN IS FOR LOCATION REFERENCE ONLY. ALL DIMENSIONS FOR PANELS WILL BE SHOWN ON PANEL ELEVATIONS ONLY. ALL DIMENSIONS AND CONDITIONS ARE TO BE FIELD VERIFIED PRIOR TO ANY FABRICATION.

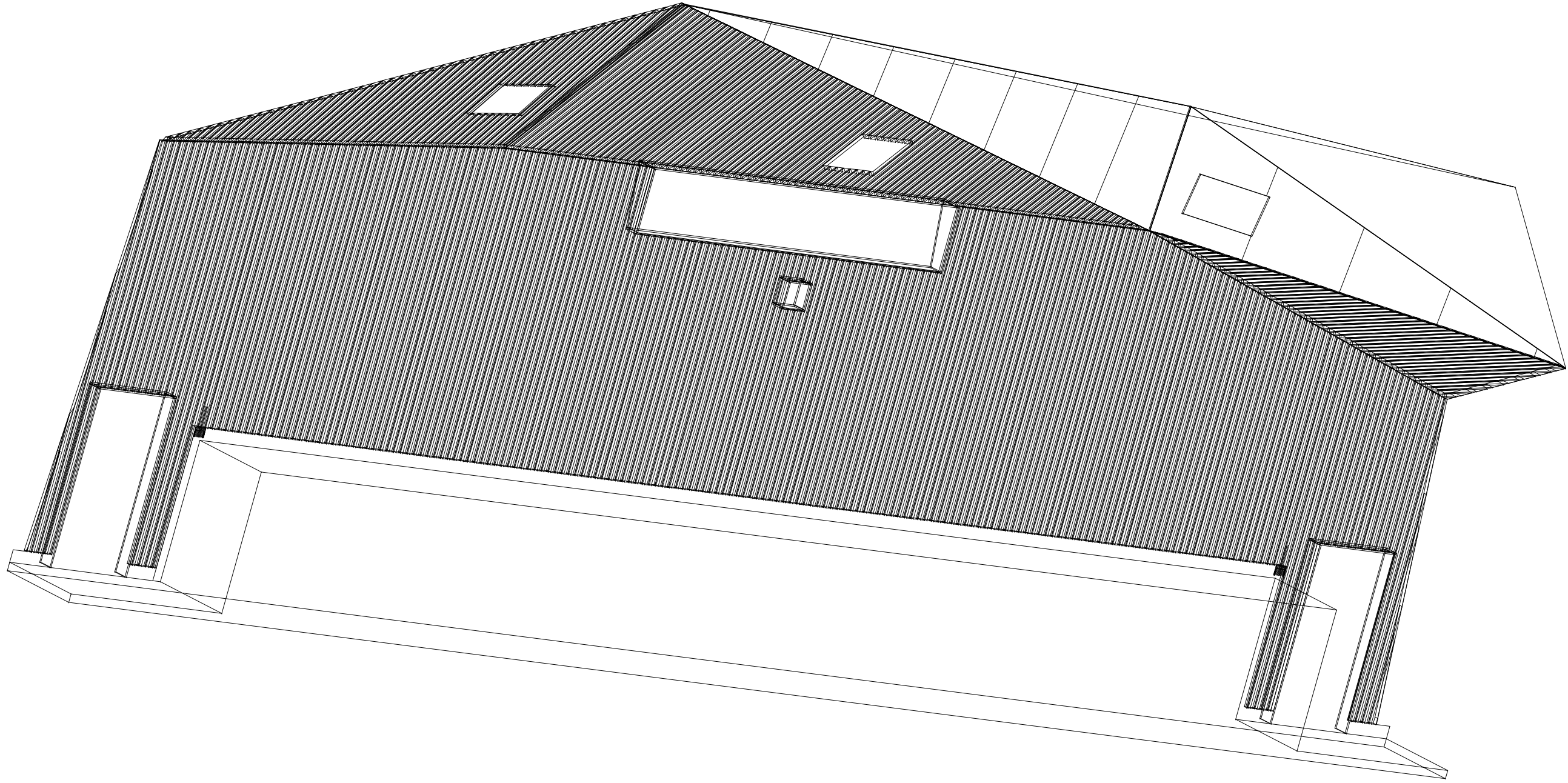
REFERENCE FLOOR PLAN
SCALE: 1/4"=12"

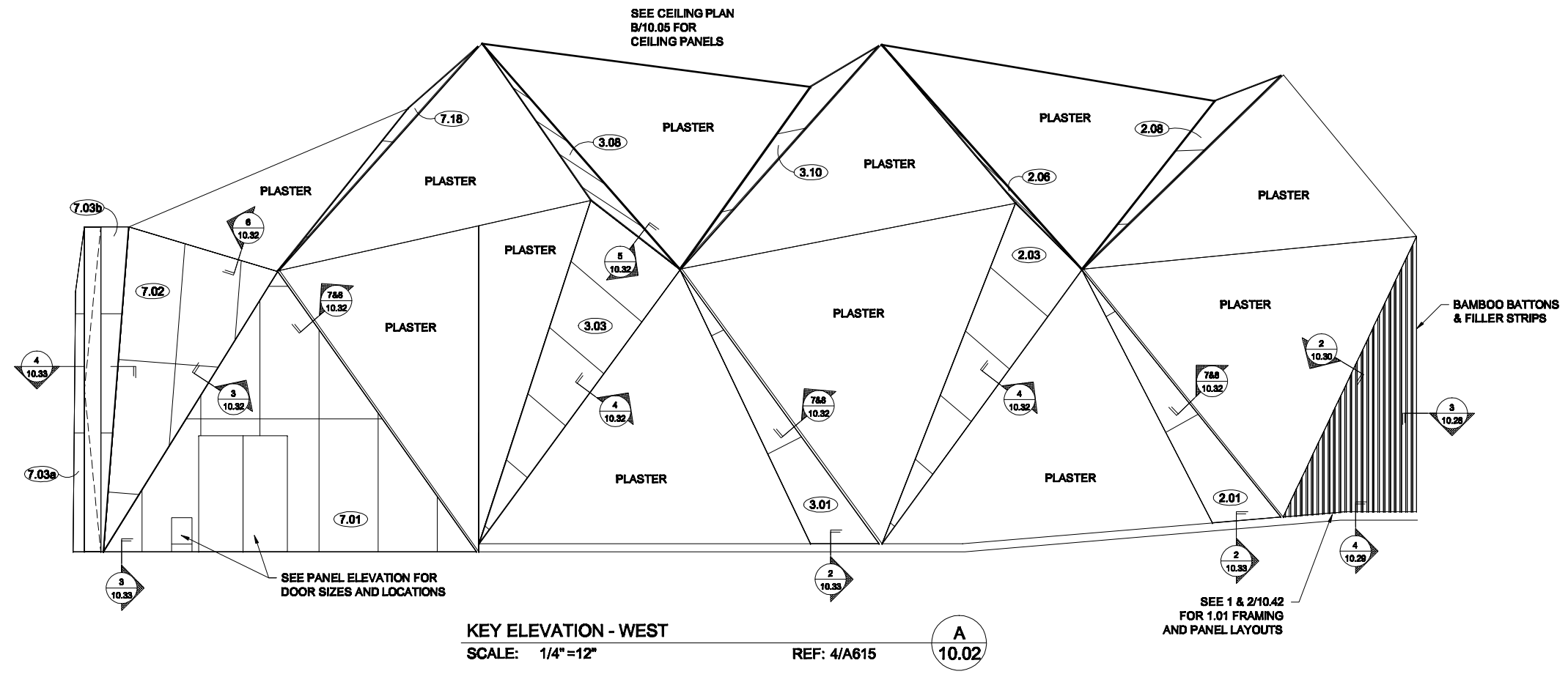
REF: 1/A501

A
10.01





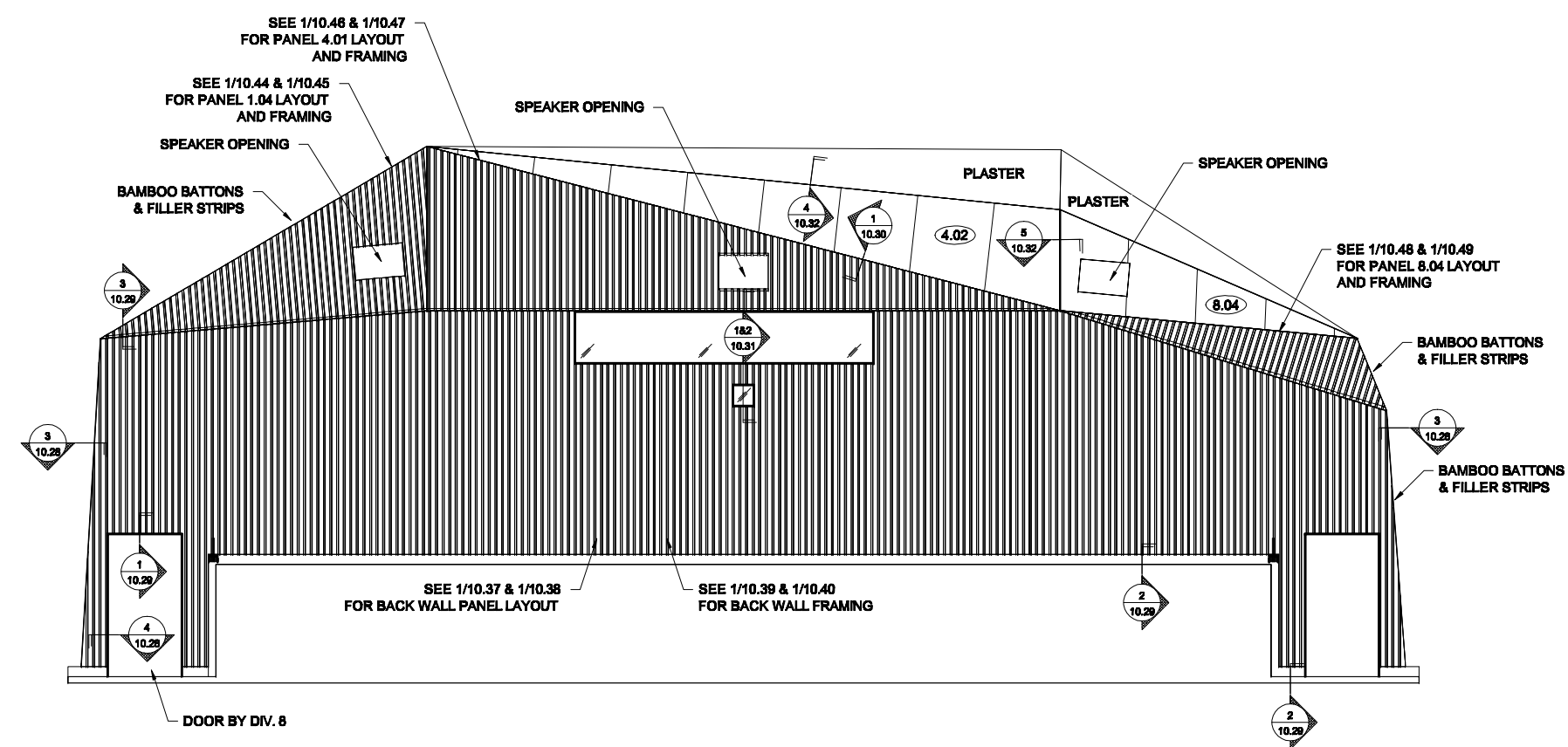




ALL PLASTER WORK IS BY DIV. 9
ARCHITECT PLEASE VERIFY ALL GRAIN DIRECTIONS.
SEVERAL HAVE BEEN MODIFIED TO SIMPLIFY MANUFACTURING,
PLEASE REVIEW AND APPROVE OR REVISE.

THIS ELEVATION IS FOR LOCATION REFERENCE
ONLY. ALL DIMENSIONS FOR PANELS WILL
BE SHOWN ON PANEL ELEVATIONS ONLY. ALL
DIMENSIONS AND CONDITIONS ARE TO BE
FIELD VERIFIED PRIOR TO ANY FABRICATION.

NO DIMENSIONS WILL BE GIVEN FOR PANELS
WITH BATTEN STRIPS SINCE NO PANEL ACTUALLY
EXISTS AND ALL BATTENS AND STRIPS WILL HAVE
TO BE FIELD FIT TO THE AREA THEY ARE SHOWN.

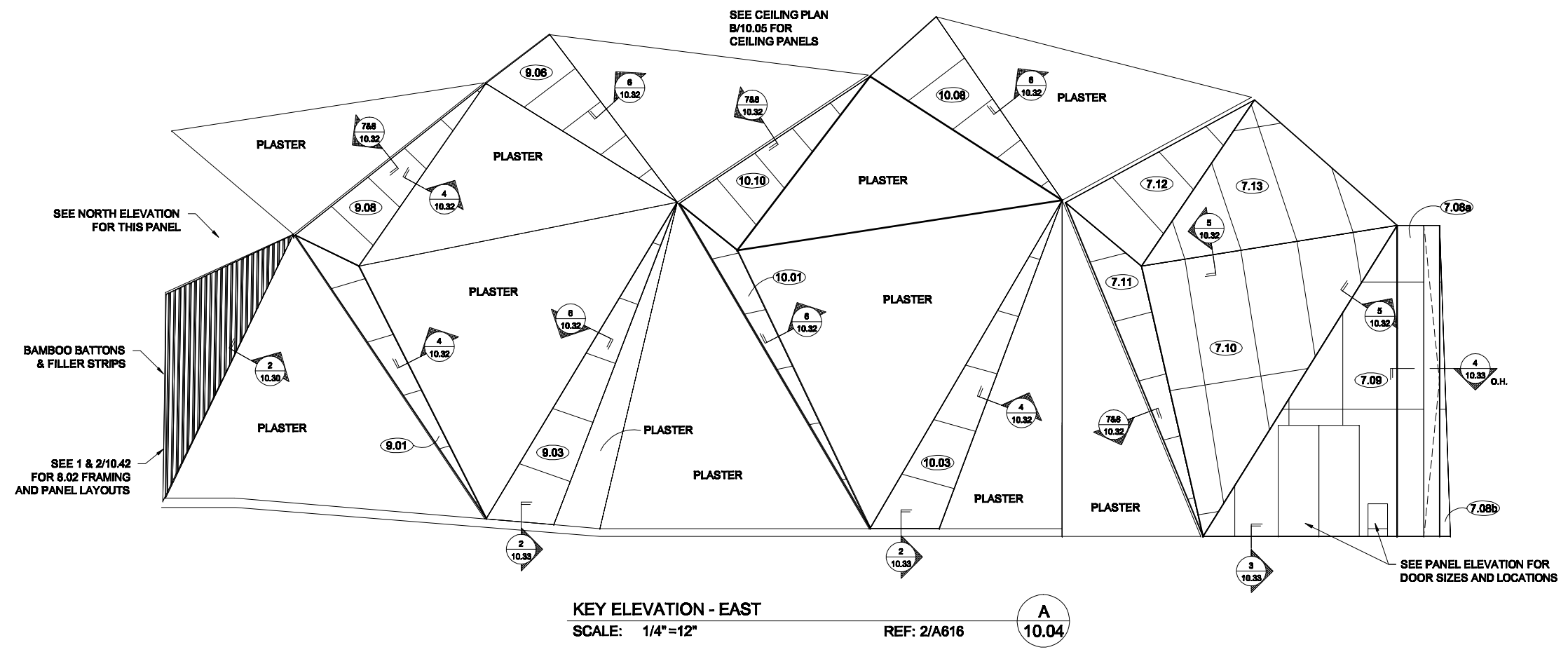


KEY ELEVATION - NORTH
SCALE: 1/4"=12" REF: 2/A615 A 10.03

ALL PLASTER WORK IS BY DIV. 9
ARCHITECT PLEASE VERIFY ALL GRAIN DIRECTIONS.
SEVERAL HAVE BEEN MODIFIED TO SIMPLIFY MANUFACTURING,
PLEASE REVIEW AND APPROVE OR REVISE.

THIS ELEVATION IS FOR LOCATION REFERENCE
ONLY. ALL DIMENSIONS FOR PANELS WILL
BE SHOWN ON PANEL ELEVATIONS ONLY. ALL
DIMENSIONS AND CONDITIONS ARE TO BE
FIELD VERIFIED PRIOR TO ANY FABRICATION.

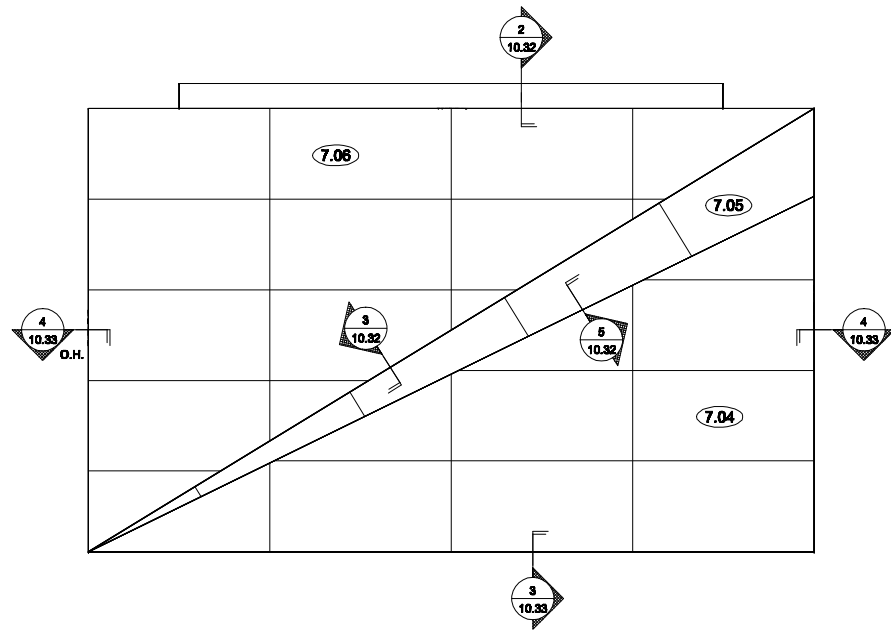
NO DIMENSIONS WILL BE GIVEN FOR PANELS
WITH BATTEN STRIPS SINCE NO PANEL ACTUALLY
EXISTS AND ALL BATTENS AND STRIPS WILL HAVE
TO BE FIELD FIT TO THE AREA THEY ARE SHOWN.



ALL PLASTER WORK IS BY DIV. 9
ARCHITECT PLEASE VERIFY ALL GRAIN DIRECTIONS.
SEVERAL HAVE BEEN MODIFIED TO SIMPLIFY MANUFACTURING,
PLEASE REVIEW AND APPROVE OR REVISE.

THIS ELEVATION IS FOR LOCATION REFERENCE
ONLY. ALL DIMENSIONS FOR PANELS WILL
BE SHOWN ON PANEL ELEVATIONS ONLY. ALL
DIMENSIONS AND CONDITIONS ARE TO BE
FIELD VERIFIED PRIOR TO ANY FABRICATION.

NO DIMENSIONS WILL BE GIVEN FOR PANELS
WITH BATTEN STRIPS SINCE NO PANEL ACTUALLY
EXISTS AND ALL BATTENS AND STRIPS WILL HAVE
TO BE FIELD FIT TO THE AREA THEY ARE SHOWN.



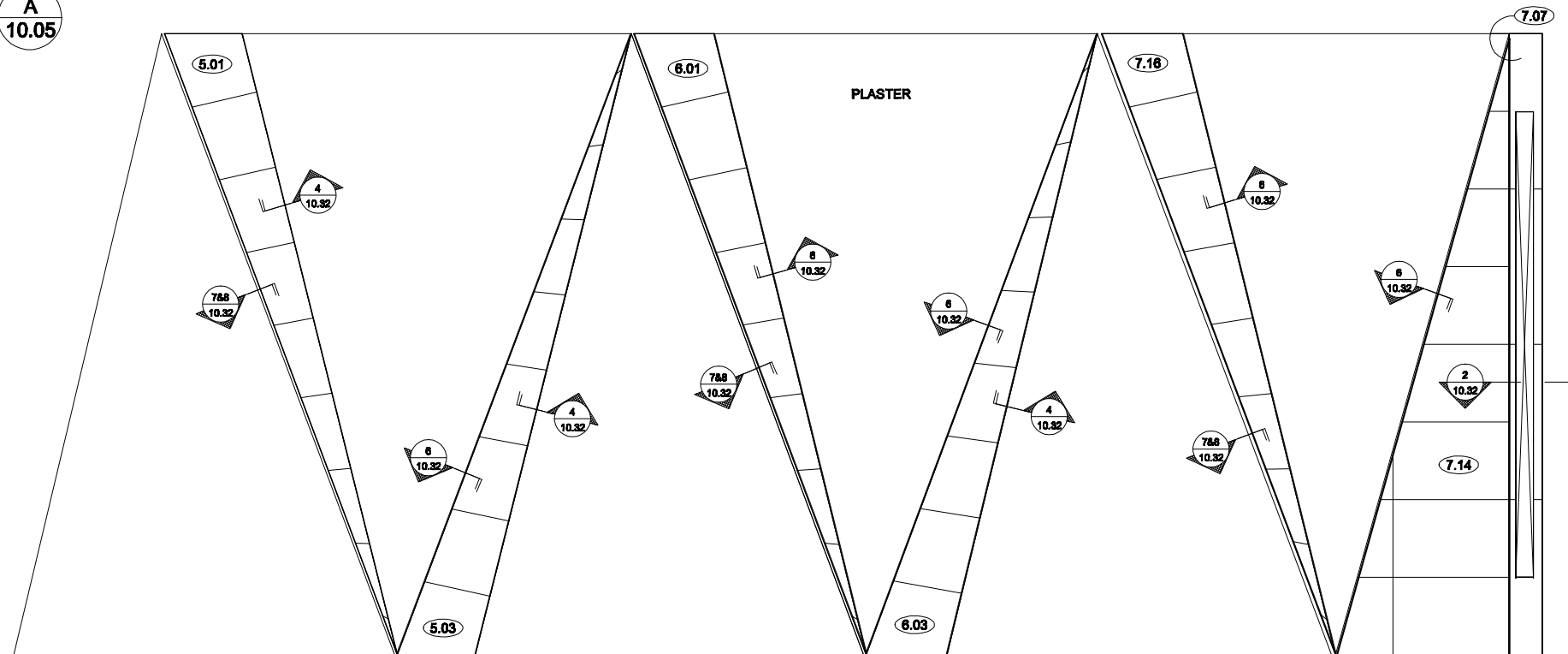
KEY ELEVATION - SOUTH

SCALE: 1/4"=12"

REF: 1/A616

A
10.05

THIS ELEVATION IS FOR LOCATION REFERENCE ONLY. ALL DIMENSIONS FOR PANELS WILL BE SHOWN ON PANEL ELEVATIONS ONLY. ALL DIMENSIONS AND CONDITIONS ARE TO BE FIELD VERIFIED PRIOR TO ANY FABRICATION.



CEILING ELEVATION LOOKING UP FROM FLOOR

SCALE: 1/4"=12"

REF: 1/A707

B
10.05

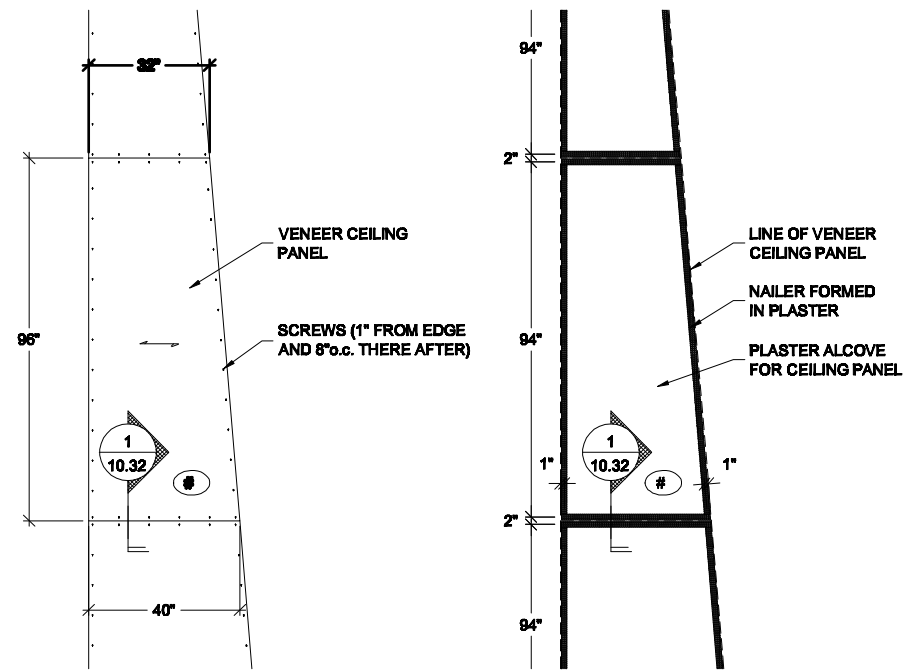
ALL PLASTER WORK IS BY DIV. 9

ARCHITECT PLEASE VERIFY ALL GRAIN DIRECTIONS. SEVERAL HAVE BEEN MODIFIED TO SIMPLIFY MANUFACTURING, PLEASE REVIEW AND APPROVE OR REVISE.

THIS ELEVATION IS FOR LOCATION REFERENCE ONLY. ALL DIMENSIONS FOR PANELS WILL BE SHOWN ON PANEL ELEVATIONS ONLY. ALL DIMENSIONS AND CONDITIONS ARE TO BE FIELD VERIFIED PRIOR TO ANY FABRICATION.

THIS IS AN ELEVATION OF THE CEILING PANELS LOOKING AT THE CEILING WHILE STANDING ON THE FLOOR.



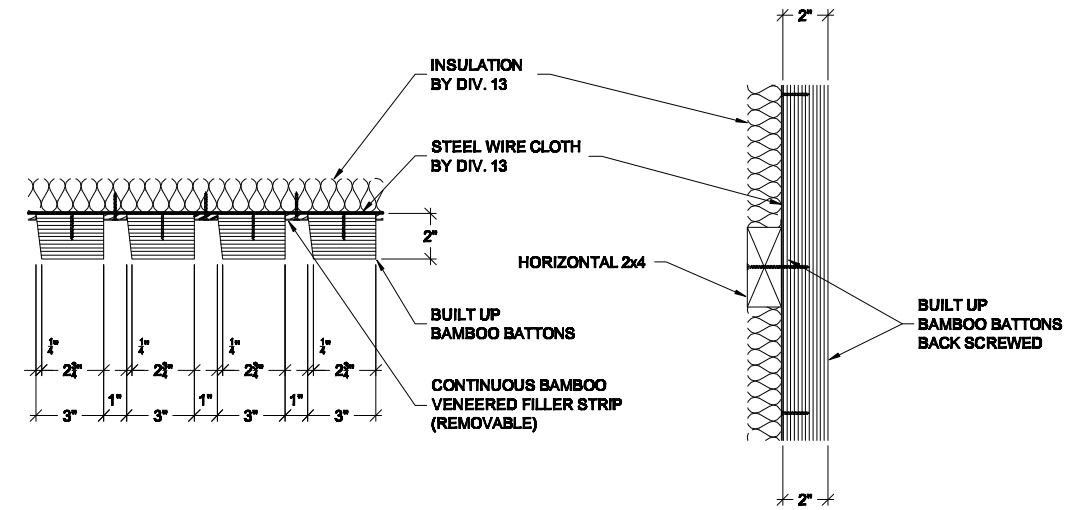


TYPICAL PANEL ATTACHMENT DETAILS

SCALE: 1/2" = 12"

REF: NONE

1
10.28

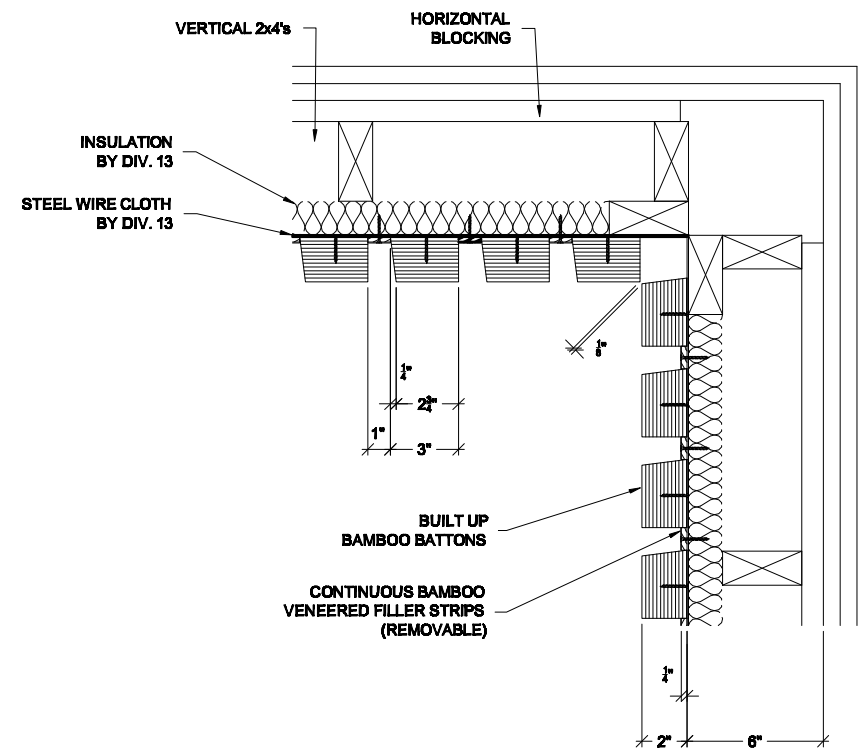


PLAN & VERTICAL SECTION @ BATTONS

SCALE: 3" = 12"

REF: 20/A644

2
10.28

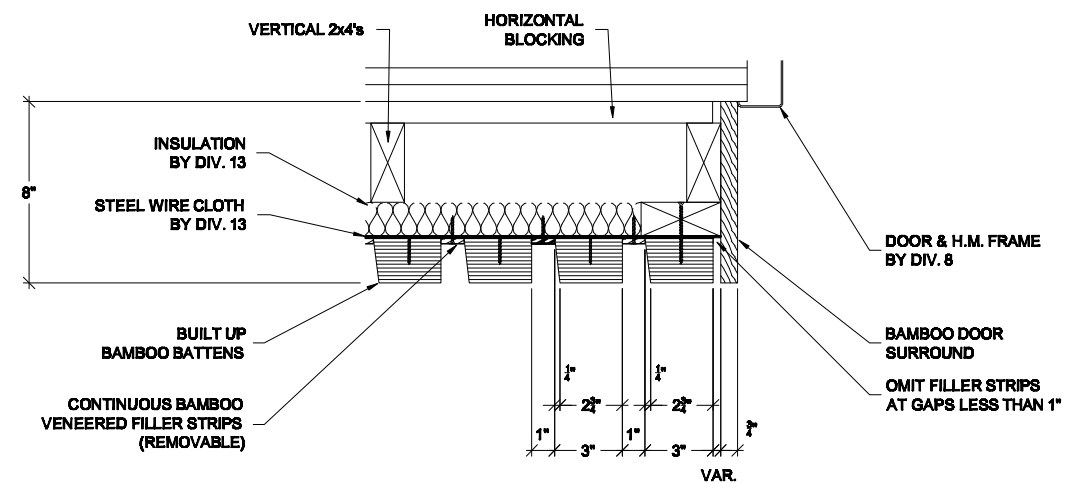


PLAN SECTION @ BATTONS IN CORNER

SCALE: 3" = 12"

REF: 20/A644 sim.

3
10.28



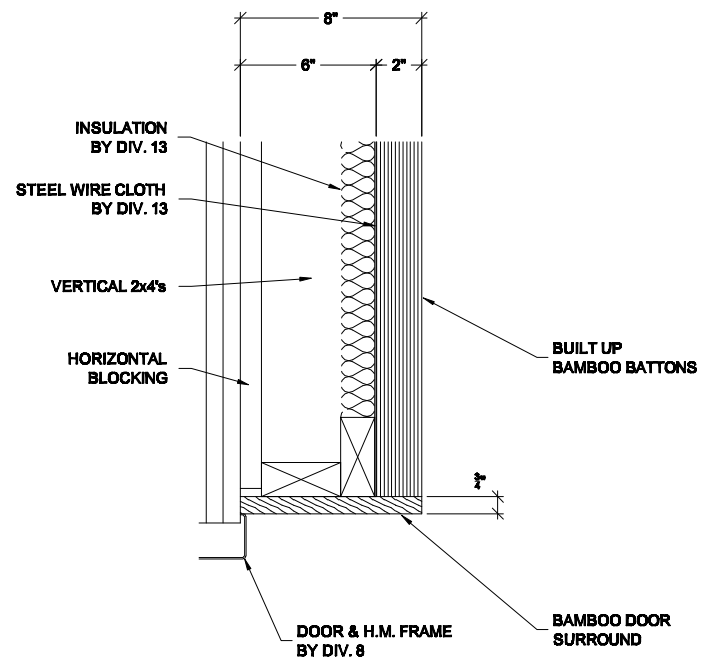
PLAN SECTION @ BATTONS @ DOOR JAMBS

SCALE: 3" = 12"

REF: 14/A644

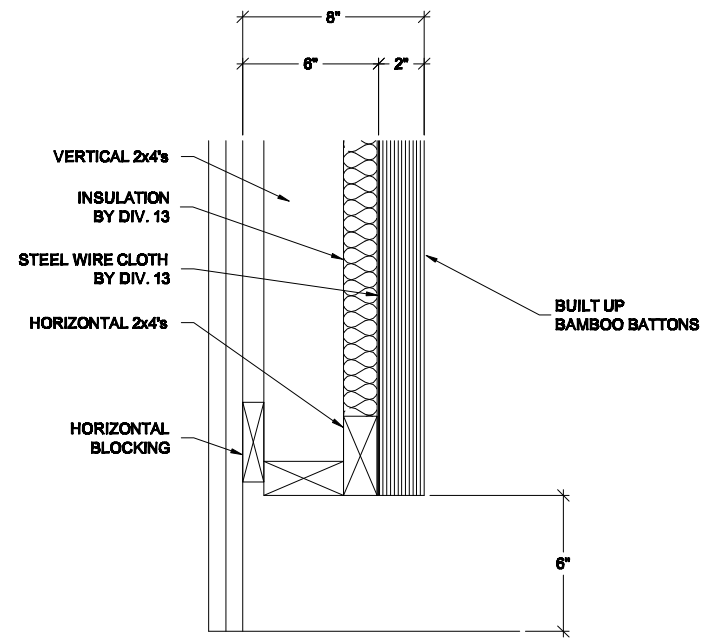
4
10.28





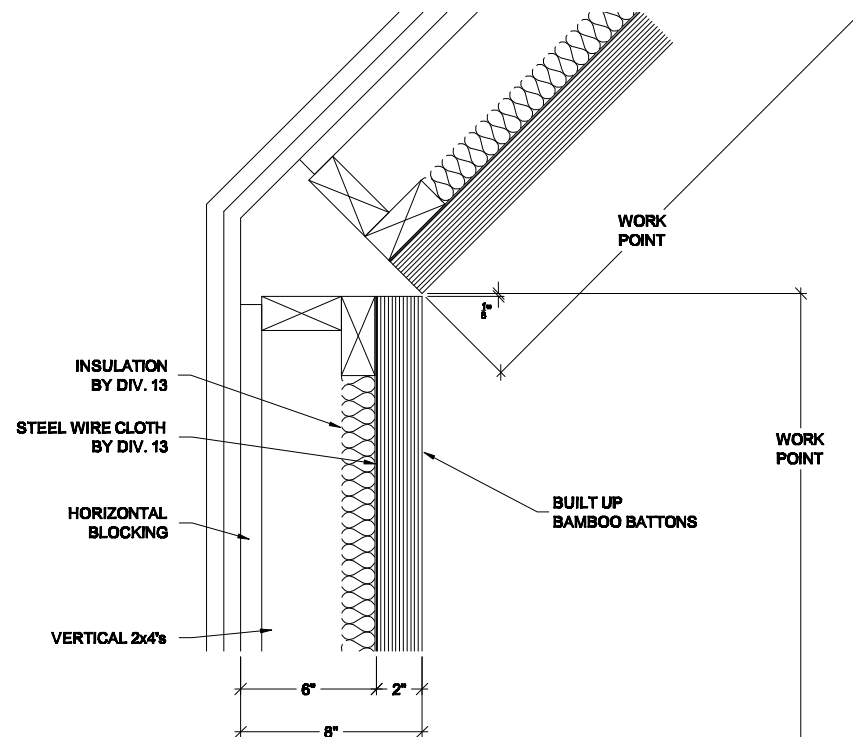
VERTICAL SECTION @ BATTONS @ DOOR HEAD
 SCALE: 3" = 12" REF: 19/A644

1
10.29



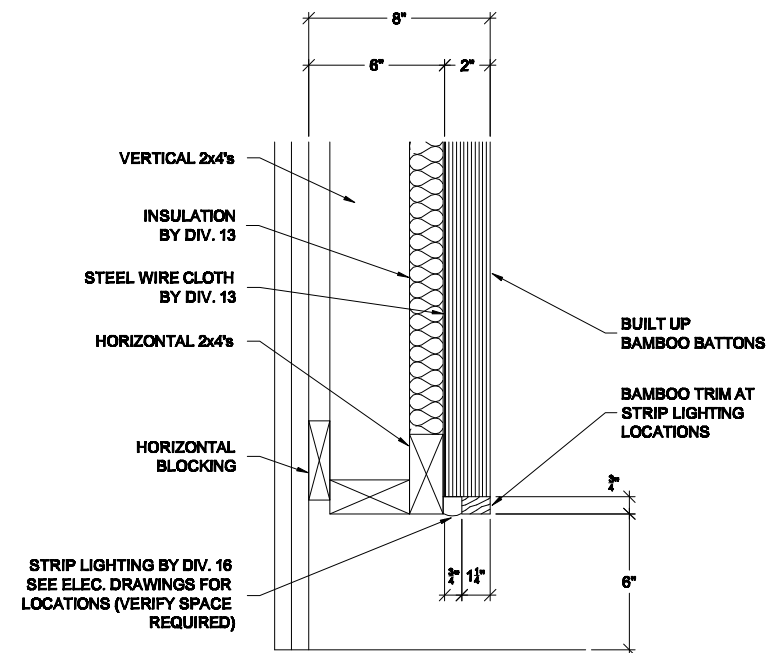
VERTICAL SECTION @ BATTONS
 SCALE: 3" = 12" REF: 7/A642

2
10.29



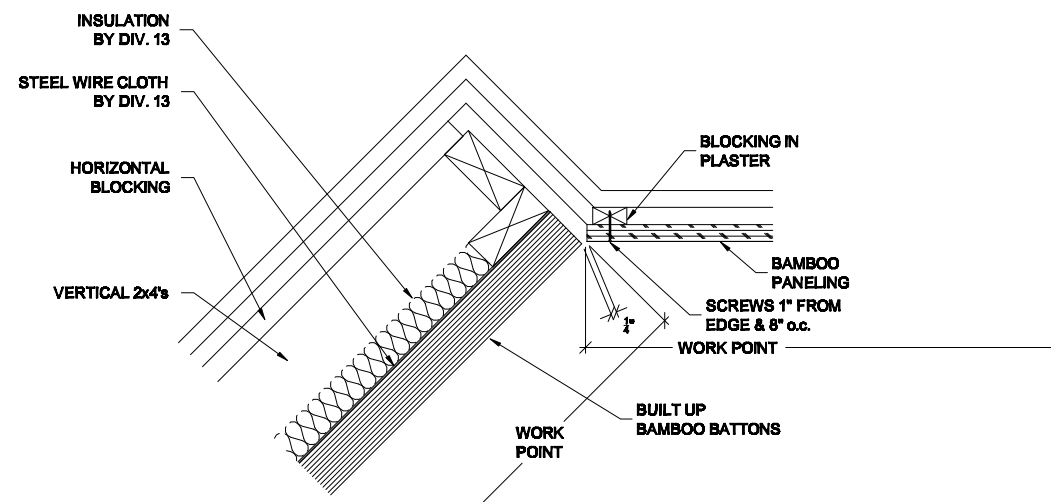
SECTION @ WALL BATTONS TO CEILING BATTONS
 SCALE: 3" = 12" REF: 14/A645

3
10.29

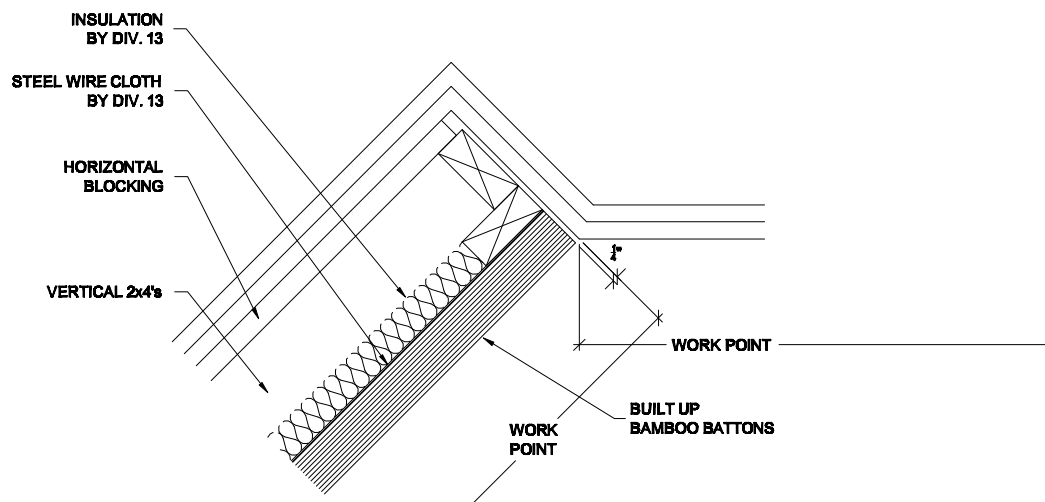


VERTICAL SECTION @ BATTONS (STRIP LIGHTING)
 SCALE: 3" = 12" REF: 3/A642

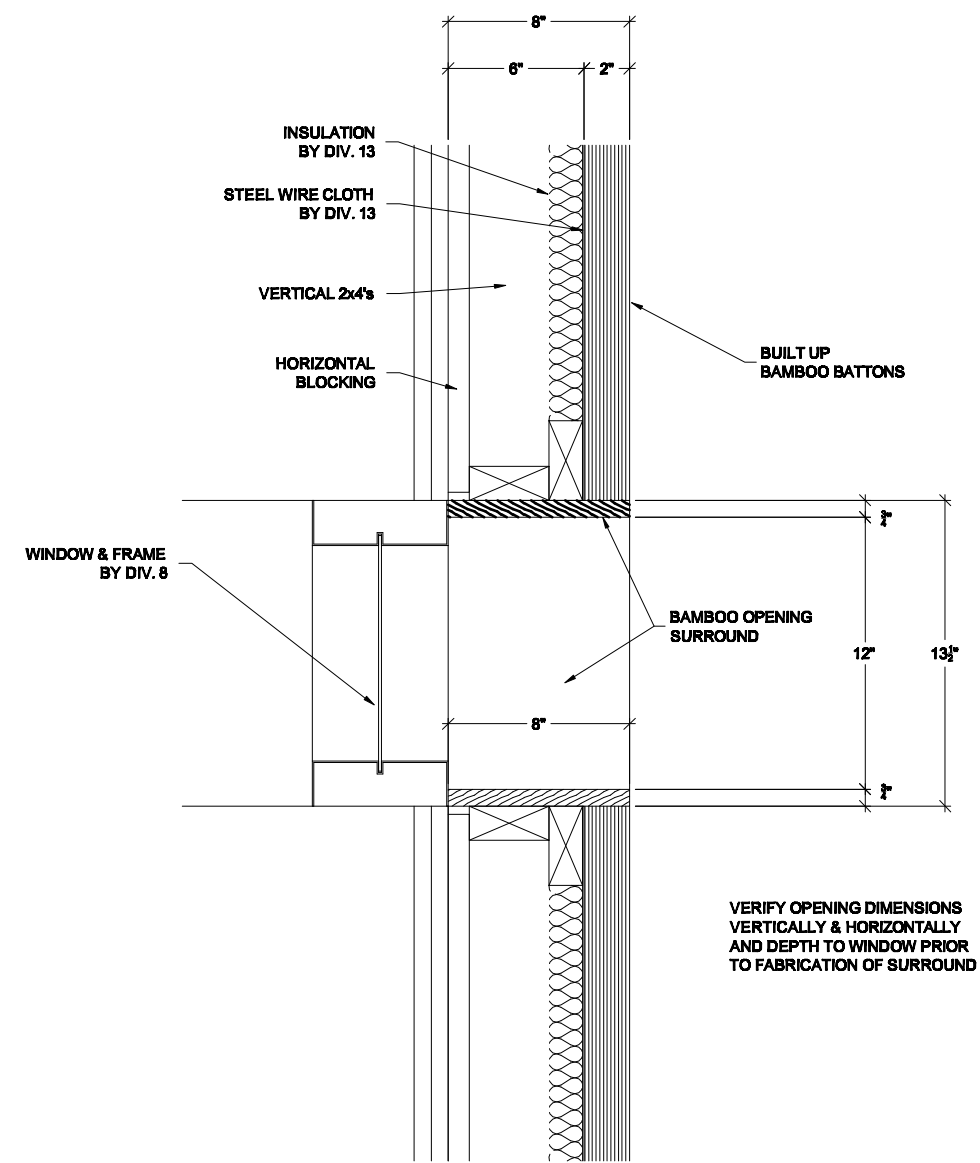
4
10.29



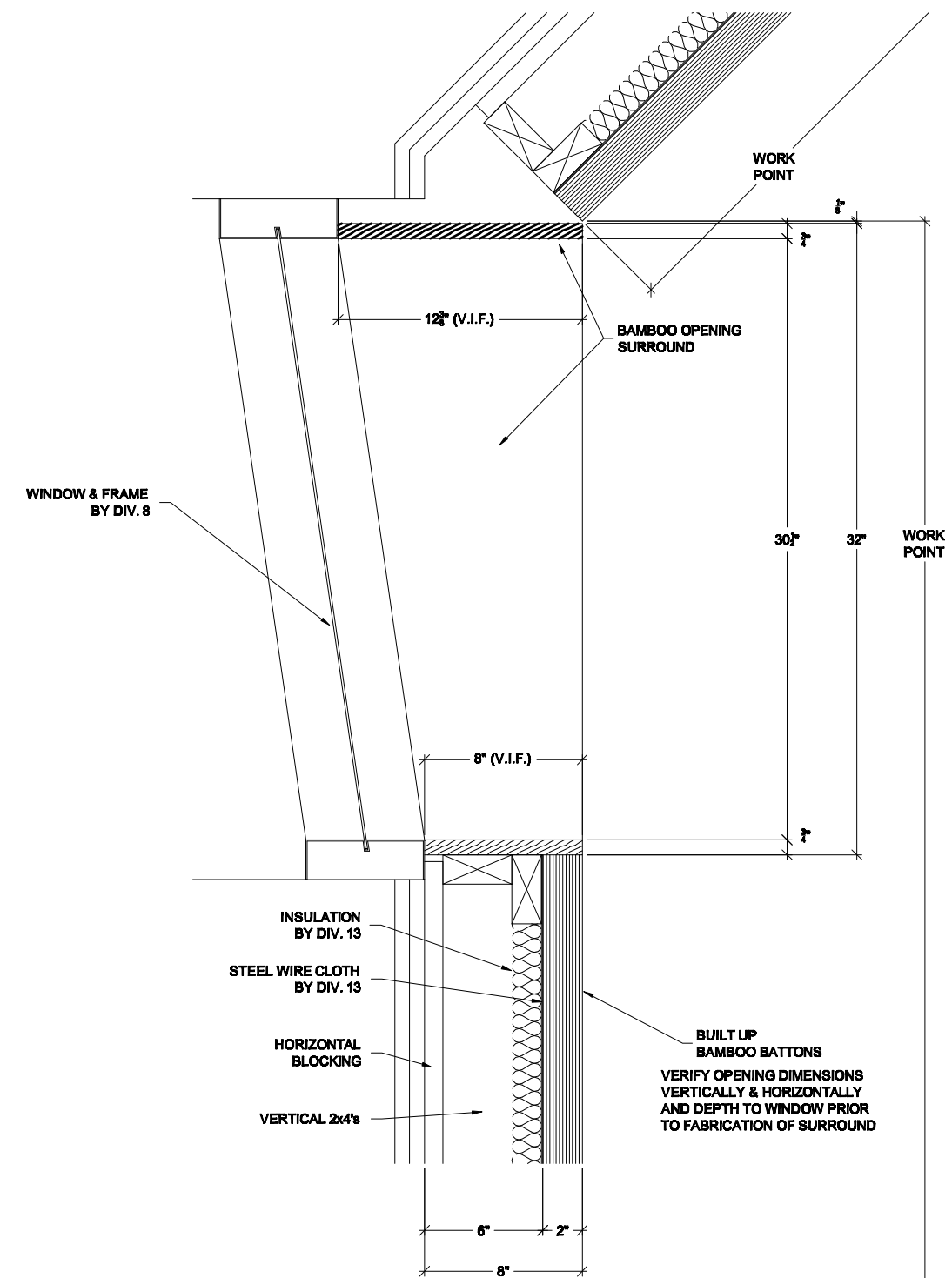
SECTION @ WALL BATTENS TO CEILING PANELING
SCALE: 3" = 12" REF: 19/A645 sim. 1
10.30



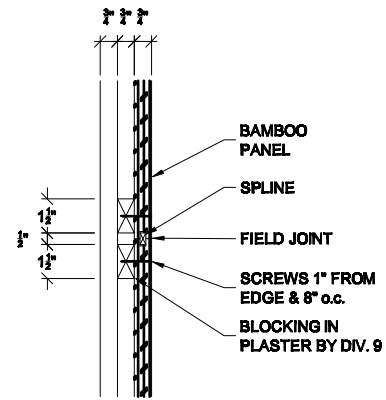
SECTION @ WALL BATTENS TO PLASTER CEILING
SCALE: 3" = 12" REF: 20/A645 2
10.30



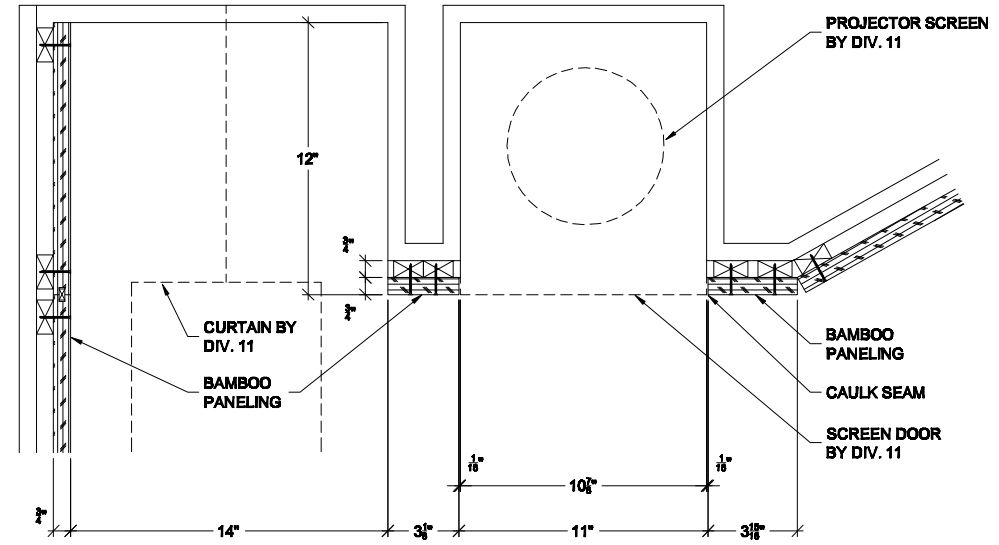
SECTION @ WALL BATTONS TO OPENING SURROUND 1
SCALE: 3" = 12" REF: 8/A645 sim. 10.31



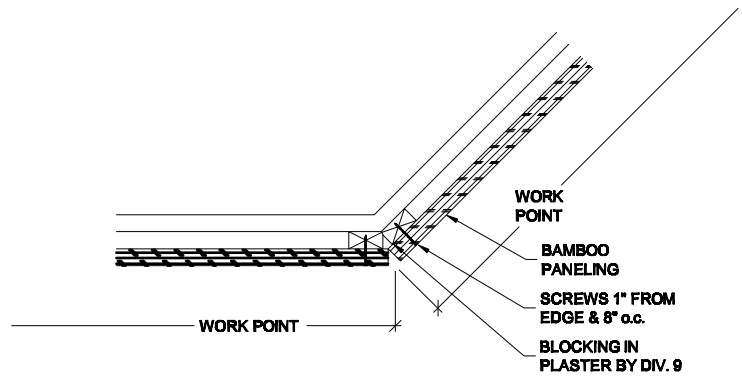
SECTION @ WALL BATTONS TO OPENING SURROUND 2
SCALE: 3" = 12" REF: 8/A645 sim. 10.31



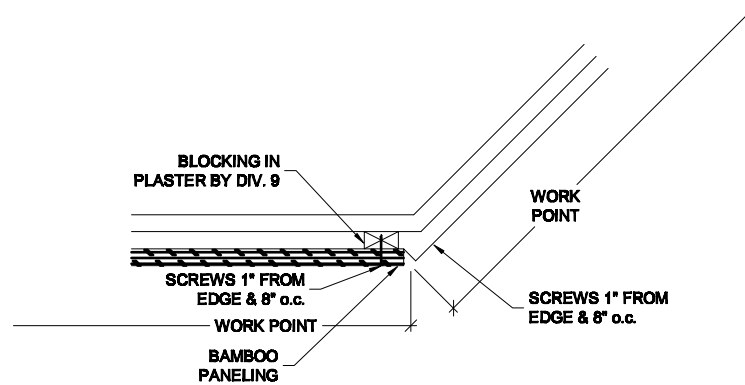
TYPICAL PANEL TO PANEL SECTION
SCALE: 3" = 12" REF: NONE **1**
10.32



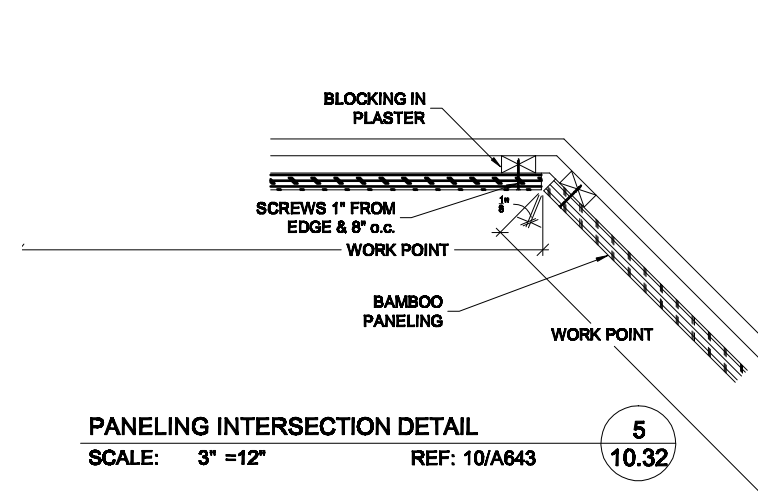
CURTAIN & PROJECTOR POCKETS
SCALE: 3" = 12" REF: 7&8/A643 **2**
10.32



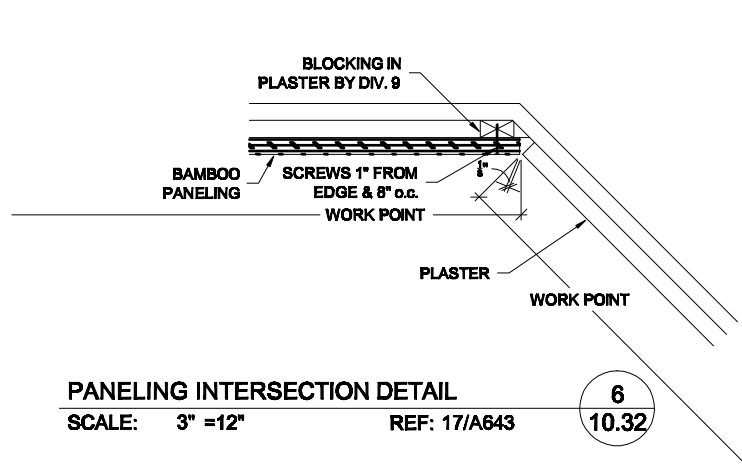
PANELING INTERSECTION DETAIL
SCALE: 3" = 12" REF: 9/A643 **3**
10.32



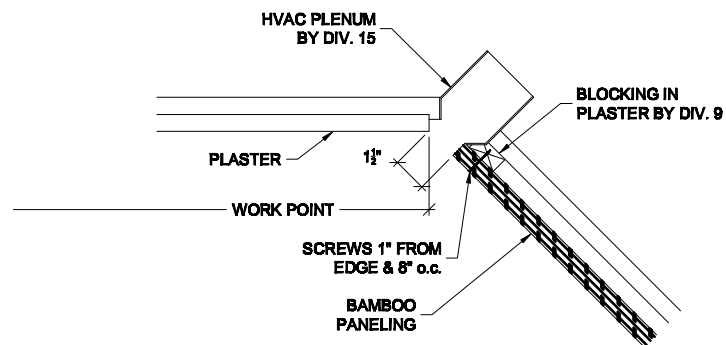
PANELING INTERSECTION DETAIL
SCALE: 3" = 12" REF: 18/A643 **4**
10.32



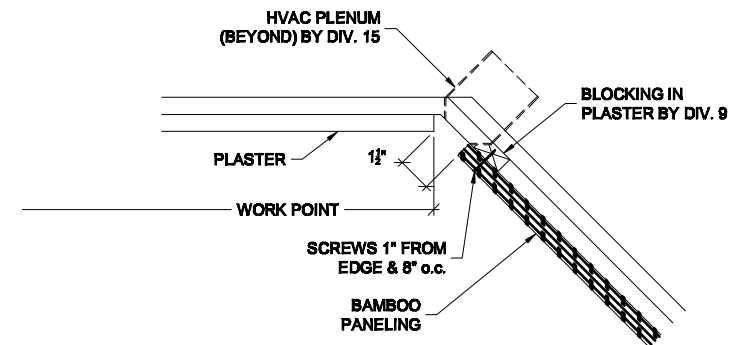
PANELING INTERSECTION DETAIL
SCALE: 3" = 12" REF: 10/A643 **5**
10.32



PANELING INTERSECTION DETAIL
SCALE: 3" = 12" REF: 17/A643 **6**
10.32

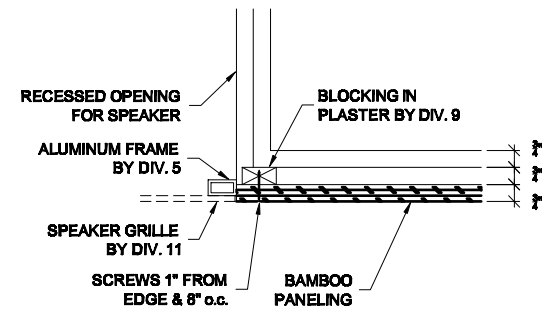


PANELING INTERSECTION DETAIL
SCALE: 3" = 12" REF: 19/A643 **7**
10.32

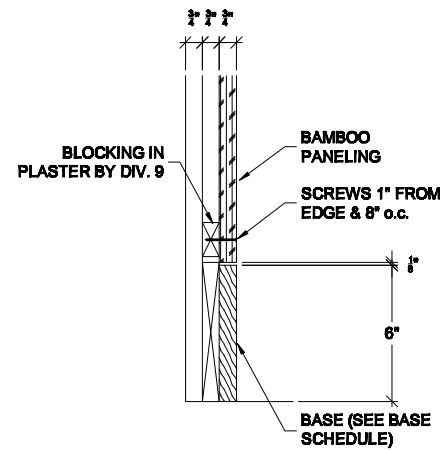


PANELING INTERSECTION DETAIL
SCALE: 3" = 12" REF: 20/A643 **8**
10.32

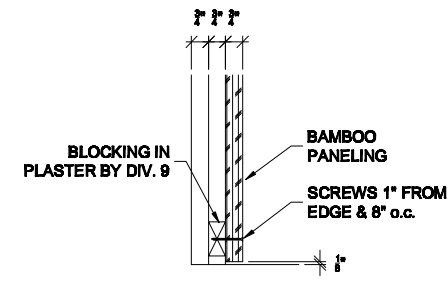




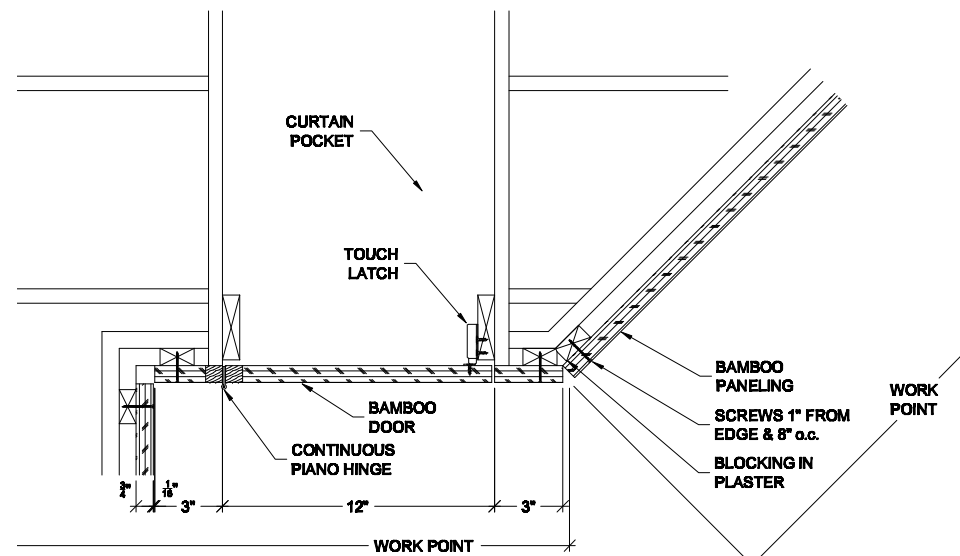
SPEAKER OPENING DETAIL
 SCALE: 3" = 12" REF: 3&11/A643 **1**
 10.33



PANEL TO BASE DETAIL
 SCALE: 3" = 12" REF: 11/A644 **2**
 10.33

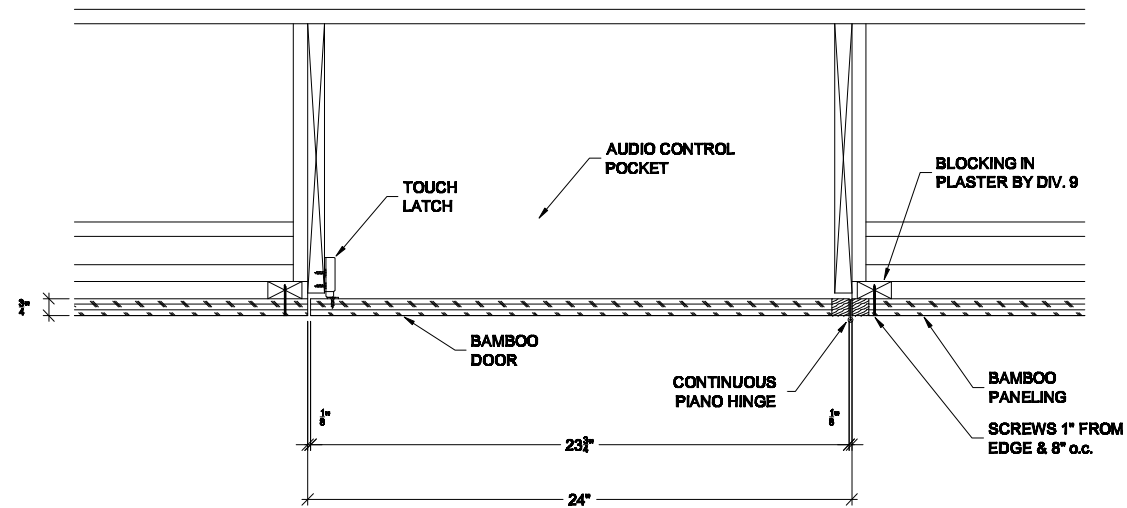


PANEL TO FLOOR (NO BASE) DETAIL
 SCALE: 3" = 12" REF: 6&15/A642 **3**
 10.33

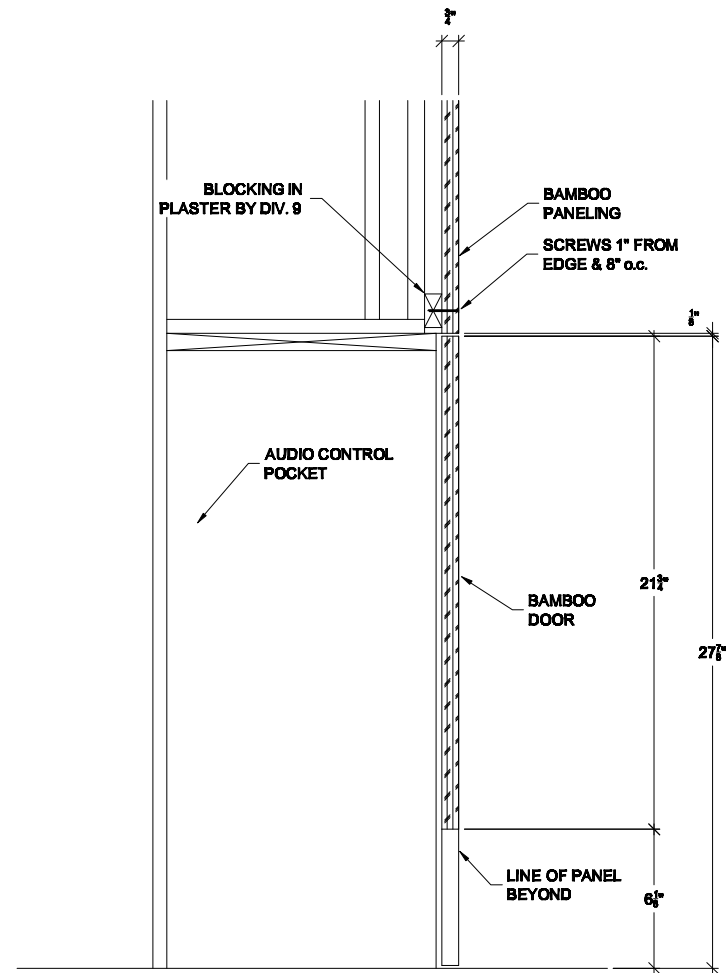


CURTAIN POCKET DOOR DETAIL
 SCALE: 3" = 12" REF: NONE **4**
 10.33

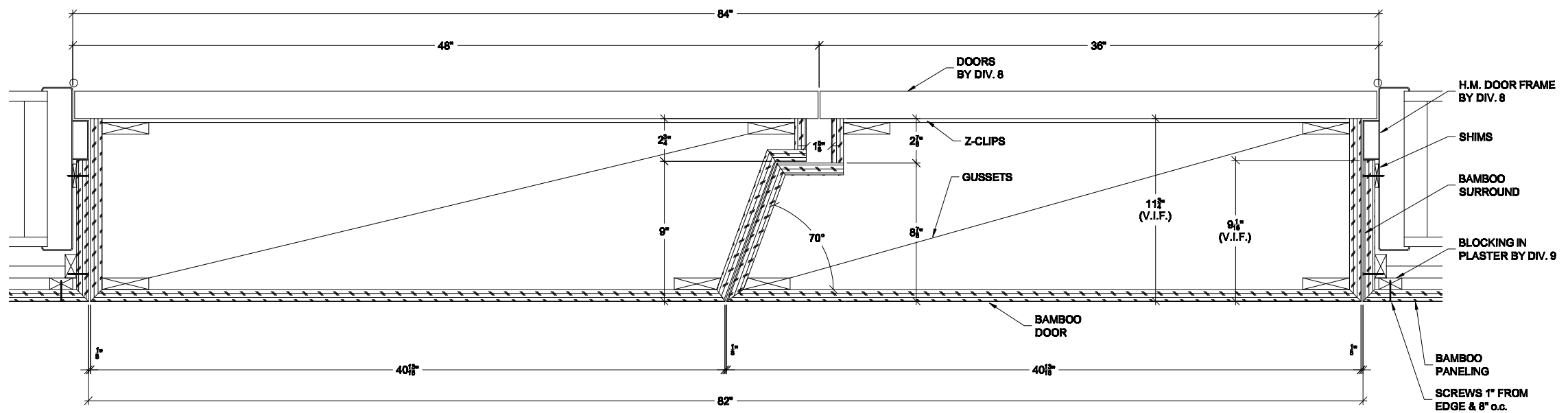
ISEC QC NOTE:
 WE HAVE SERIOUS CONCERNS REGARDING THIS DOORS ABILITY TO HOLD UP TO REPETE USAGE AND IT'S ABILITY TO REMAIN FLAT. PLEASE REVIEW AND GIVE US YOUR THOUGHTS.



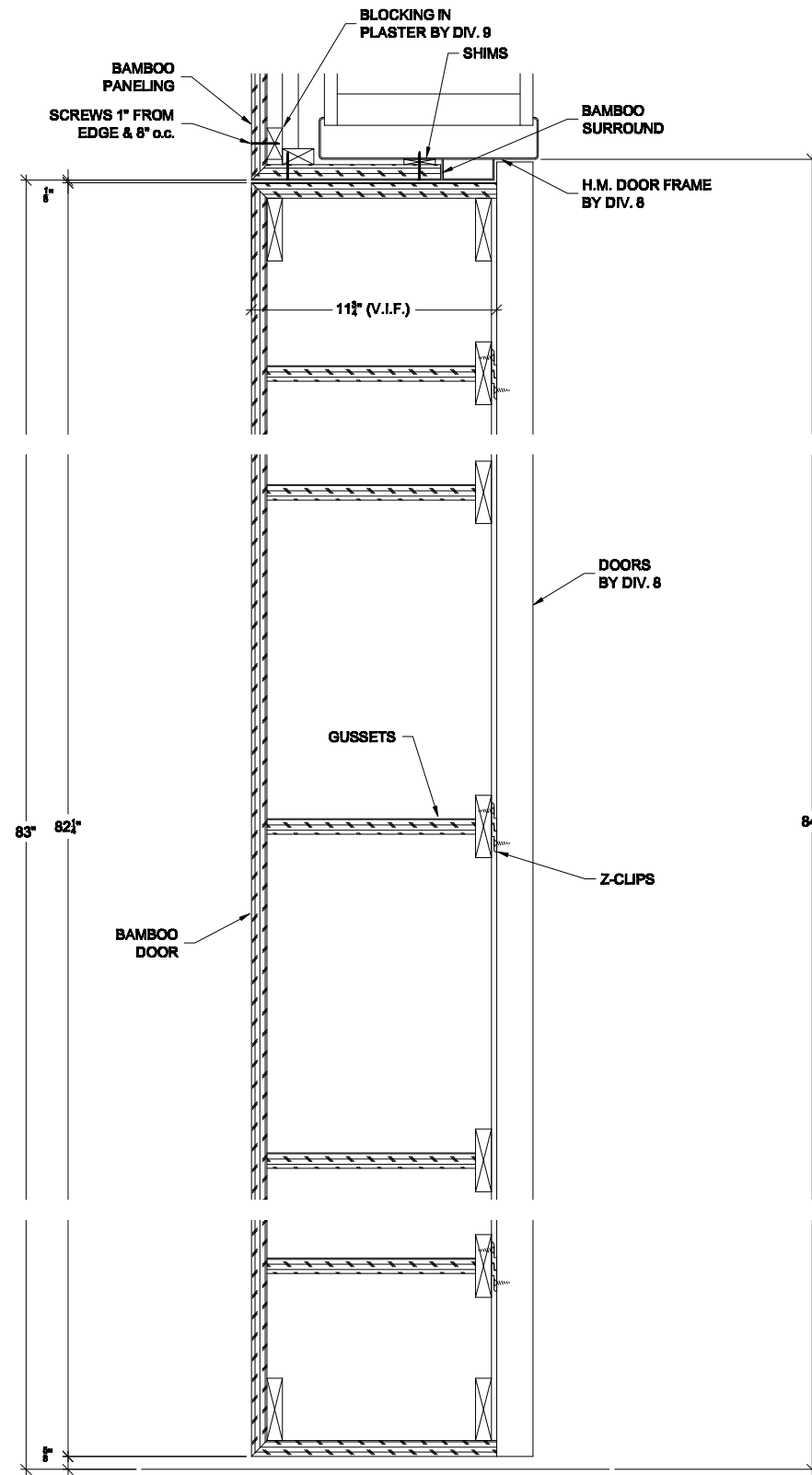
AUDIO CONTROL DOOR DETAIL
 SCALE: 3" = 12" REF: 15/A643 1
10.34



AUDIO CONTROL DOOR DETAIL
 SCALE: 3" = 12" REF: 14/A643 2
10.34



PANELED DOOR PLAN SECTION
 SCALE: 3" = 12" REF: 16/A644 **1**
 10.35



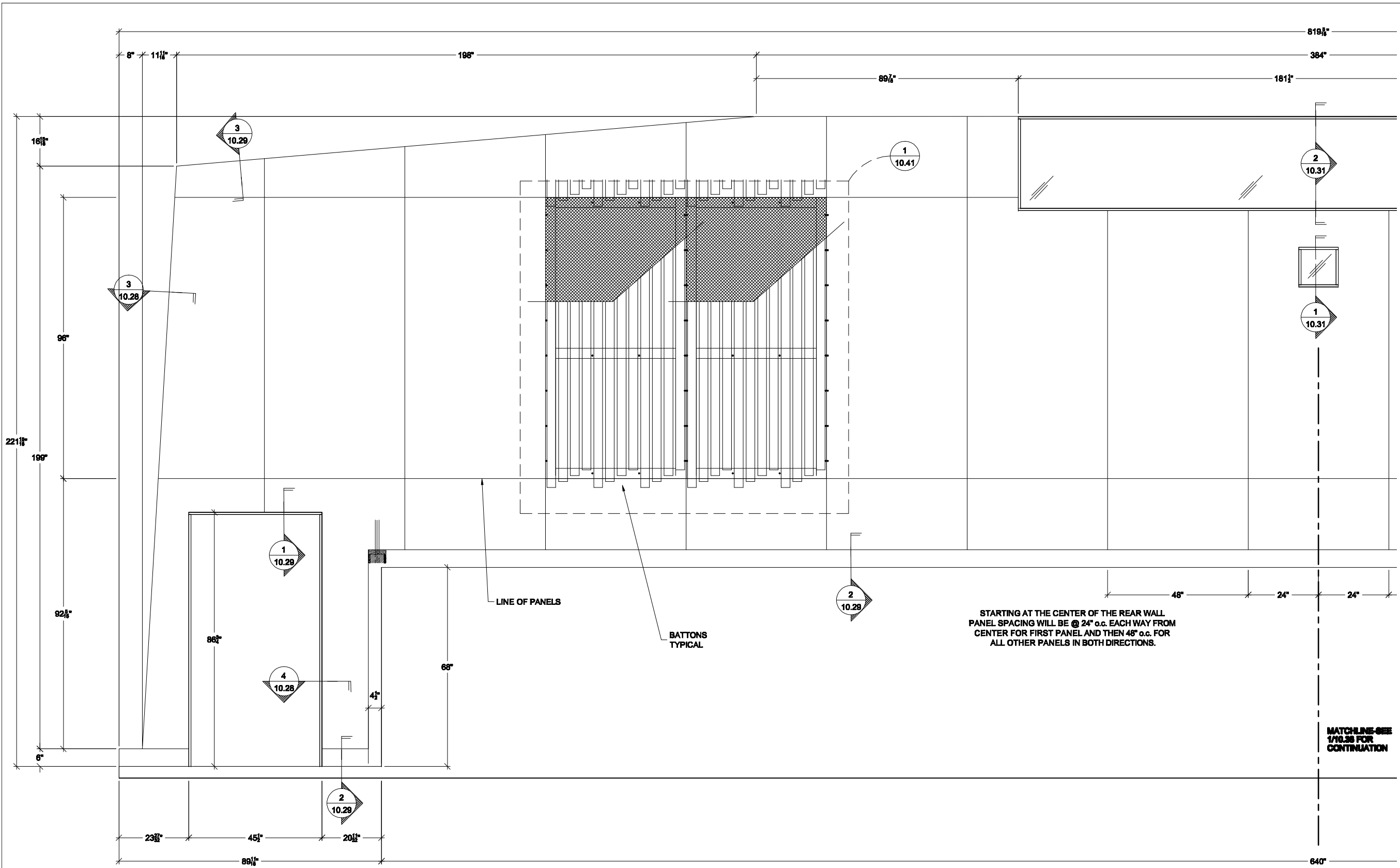
PANELED DOOR VERTICAL SECTION

SCALE: 3" = 12"

REF: 7/A609

1
10.36

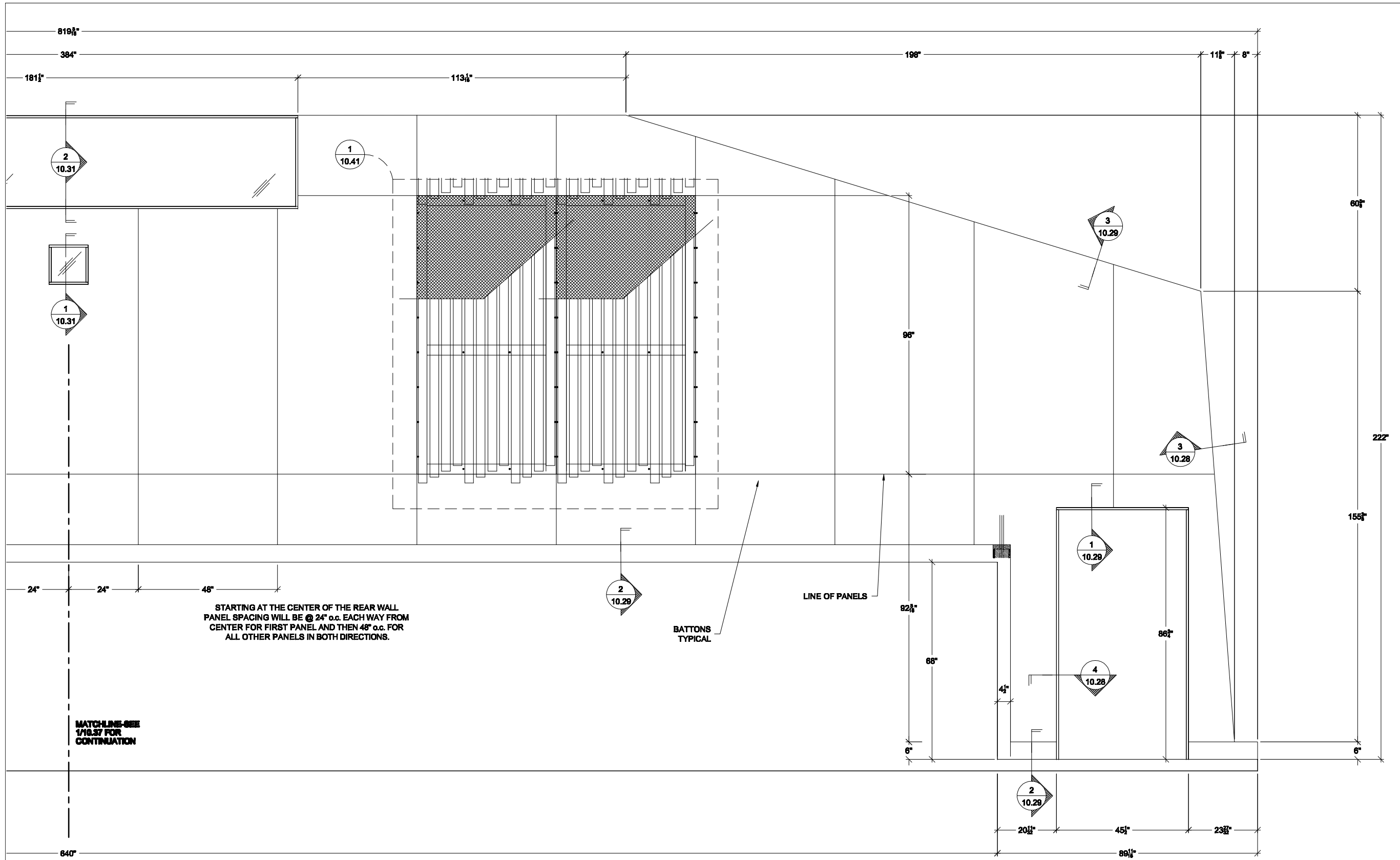




ELEVATION @ BACK WALL PANEL LAYOUT
SCALE: 3/4" = 12"

REF: NONE

1
10.37



STARTING AT THE CENTER OF THE REAR WALL
 PANEL SPACING WILL BE @ 24" o.c. EACH WAY FROM
 CENTER FOR FIRST PANEL AND THEN 48" o.c. FOR
 ALL OTHER PANELS IN BOTH DIRECTIONS.

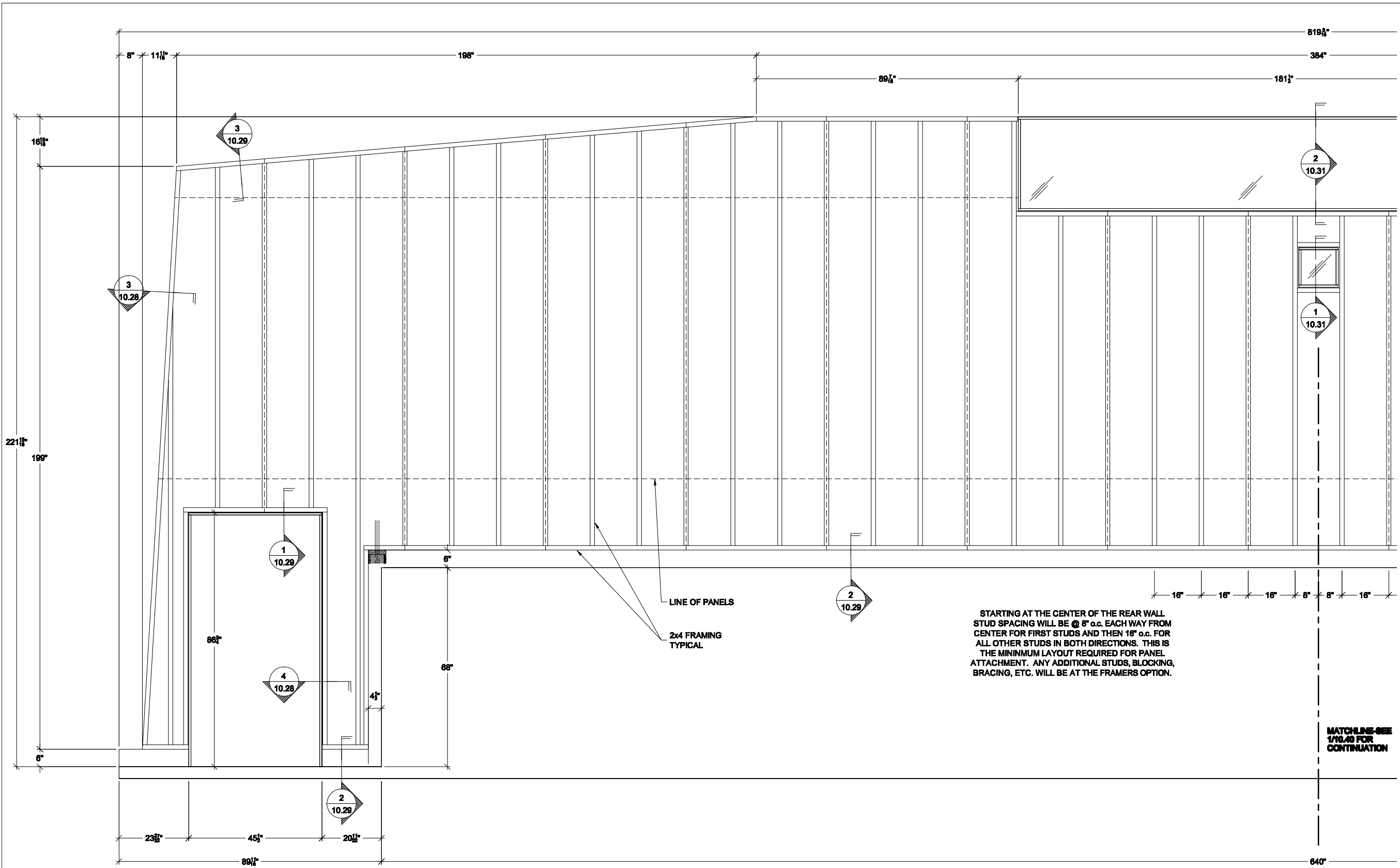
MATCHLINE-SEE
 1/10.37 FOR
 CONTINUATION

BATTONS
 TYPICAL

LINE OF PANELS

ELEVATION @ BACK WALL PANEL LAYOUT
 SCALE: 3/4" = 12" REF: NONE

1
 10.38

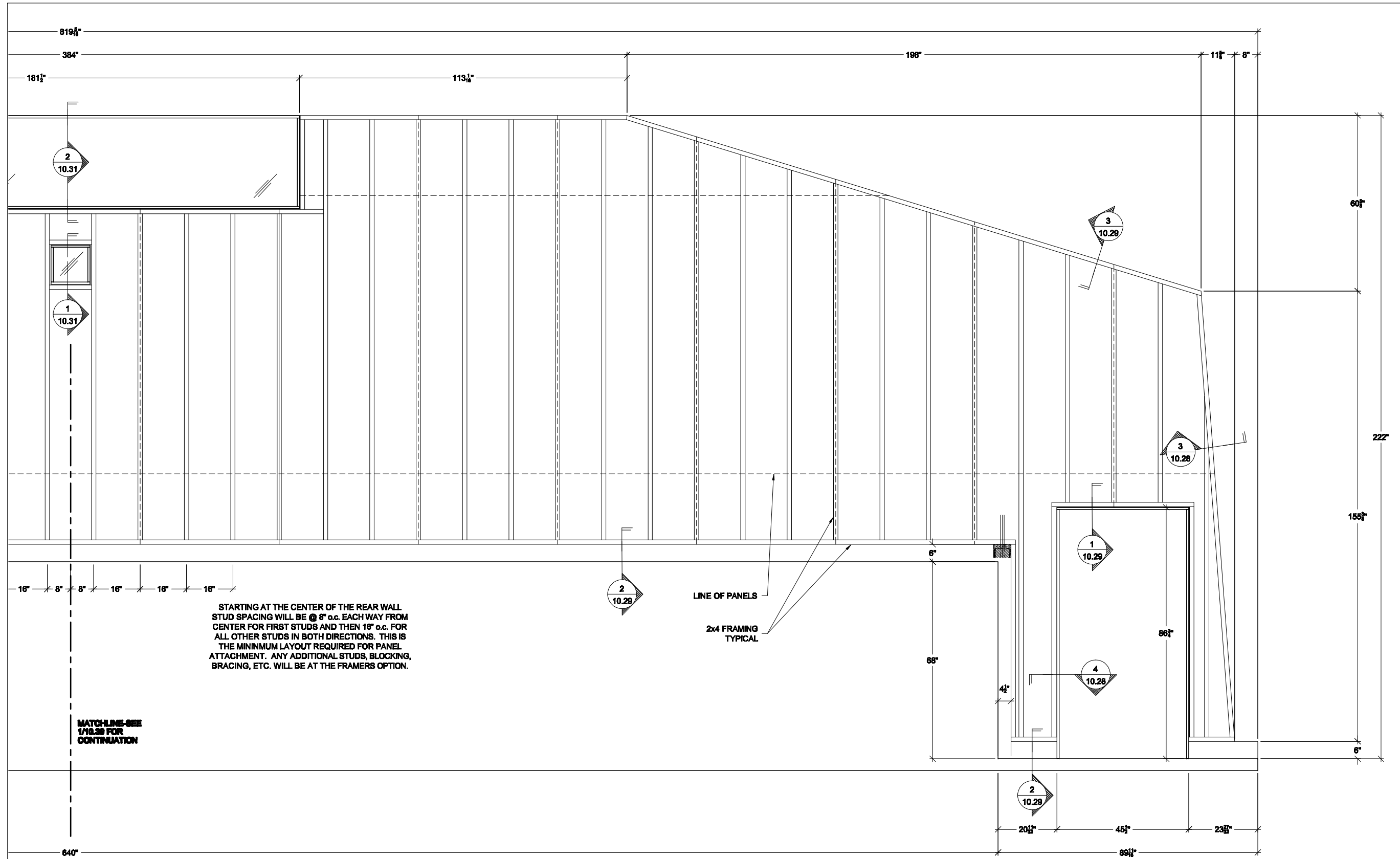


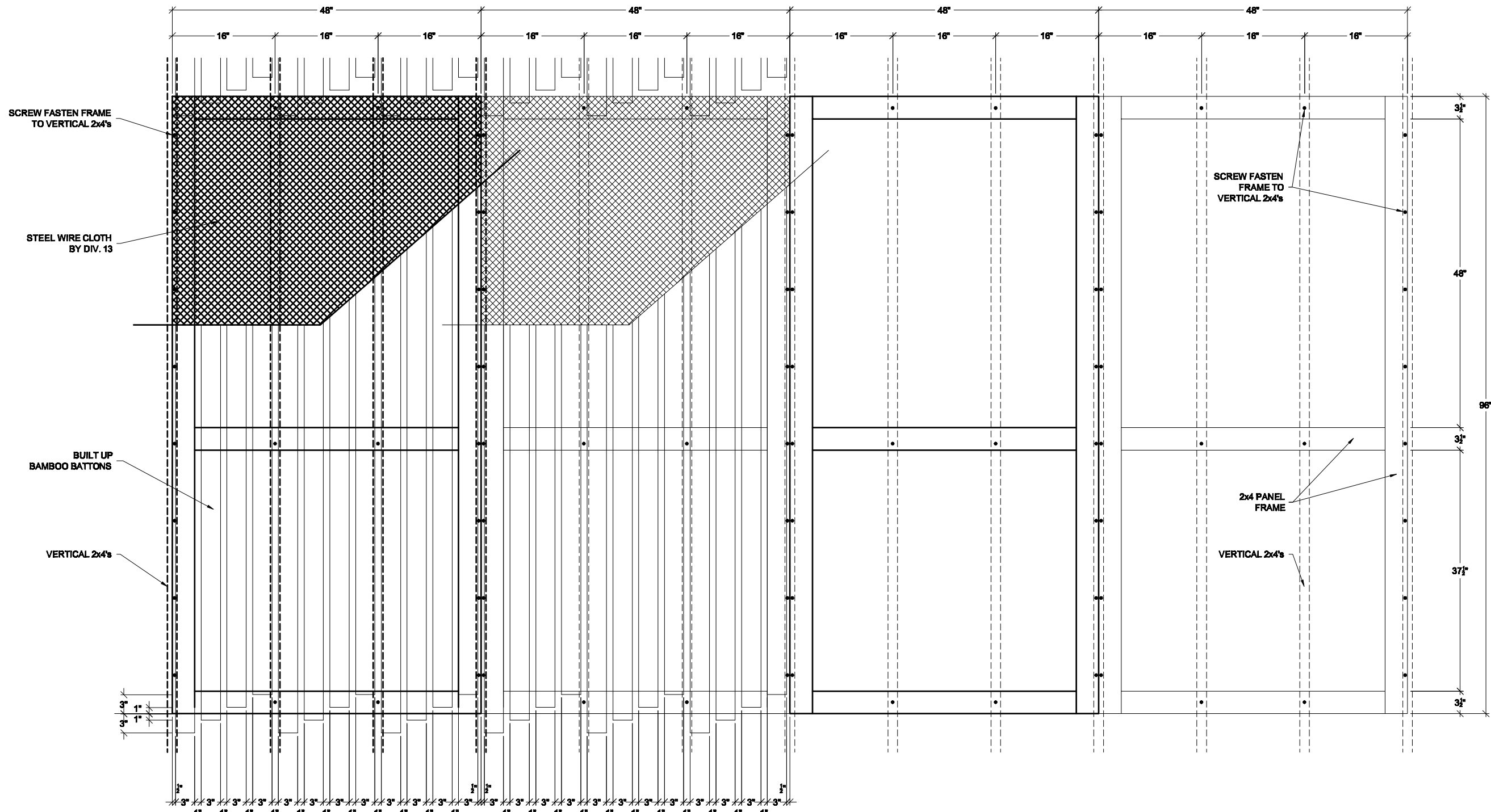
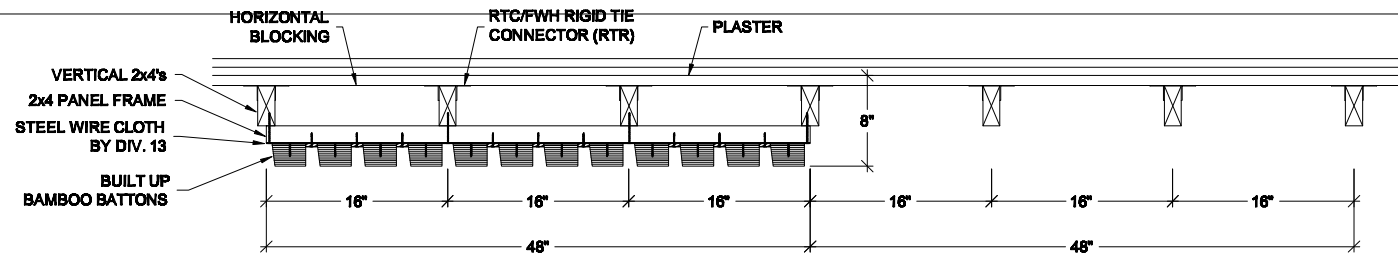
ELEVATION @ BACK WALL FRAMING

SCALE: 3/4" = 12"

REF: NONE

1
10.39

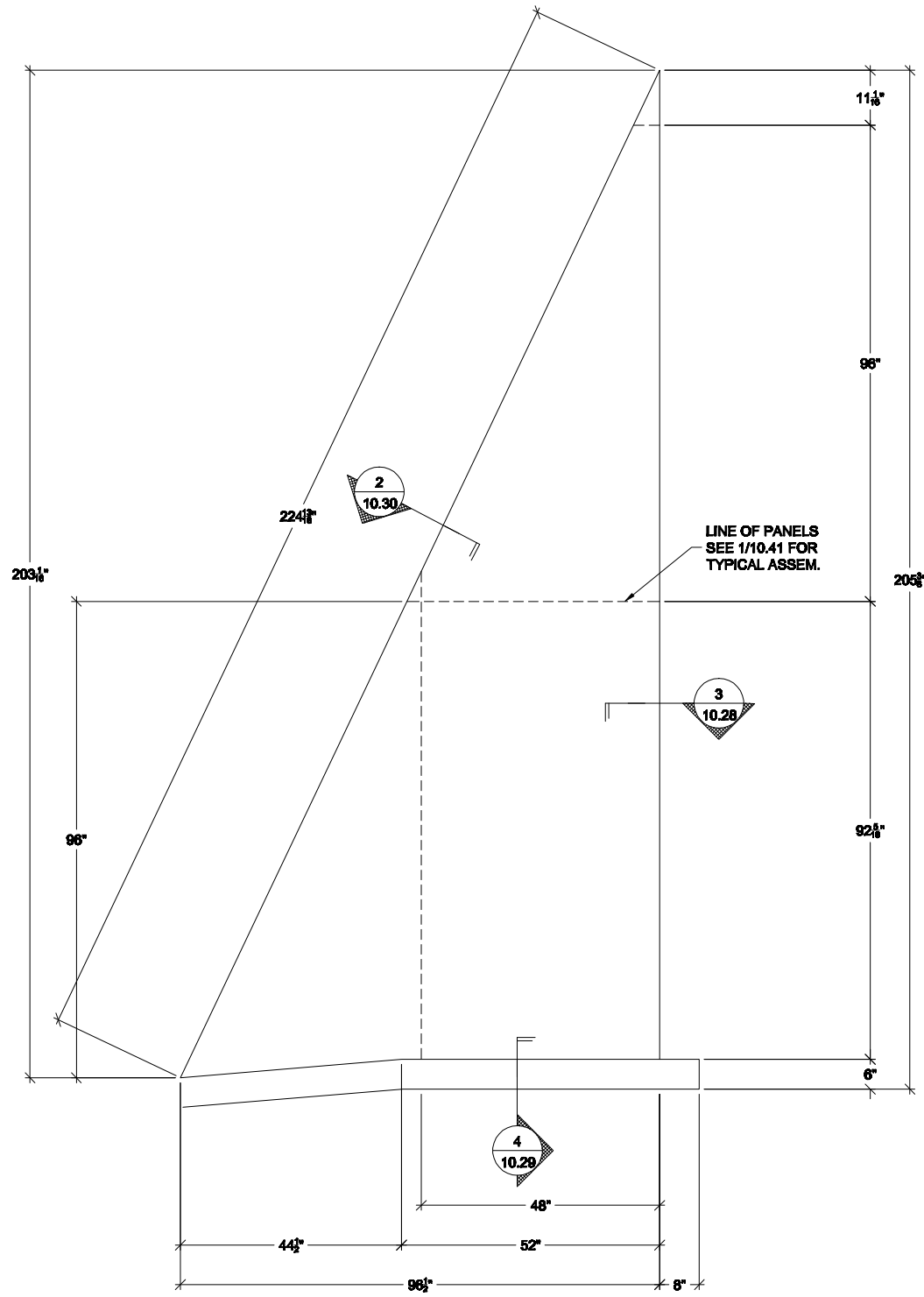




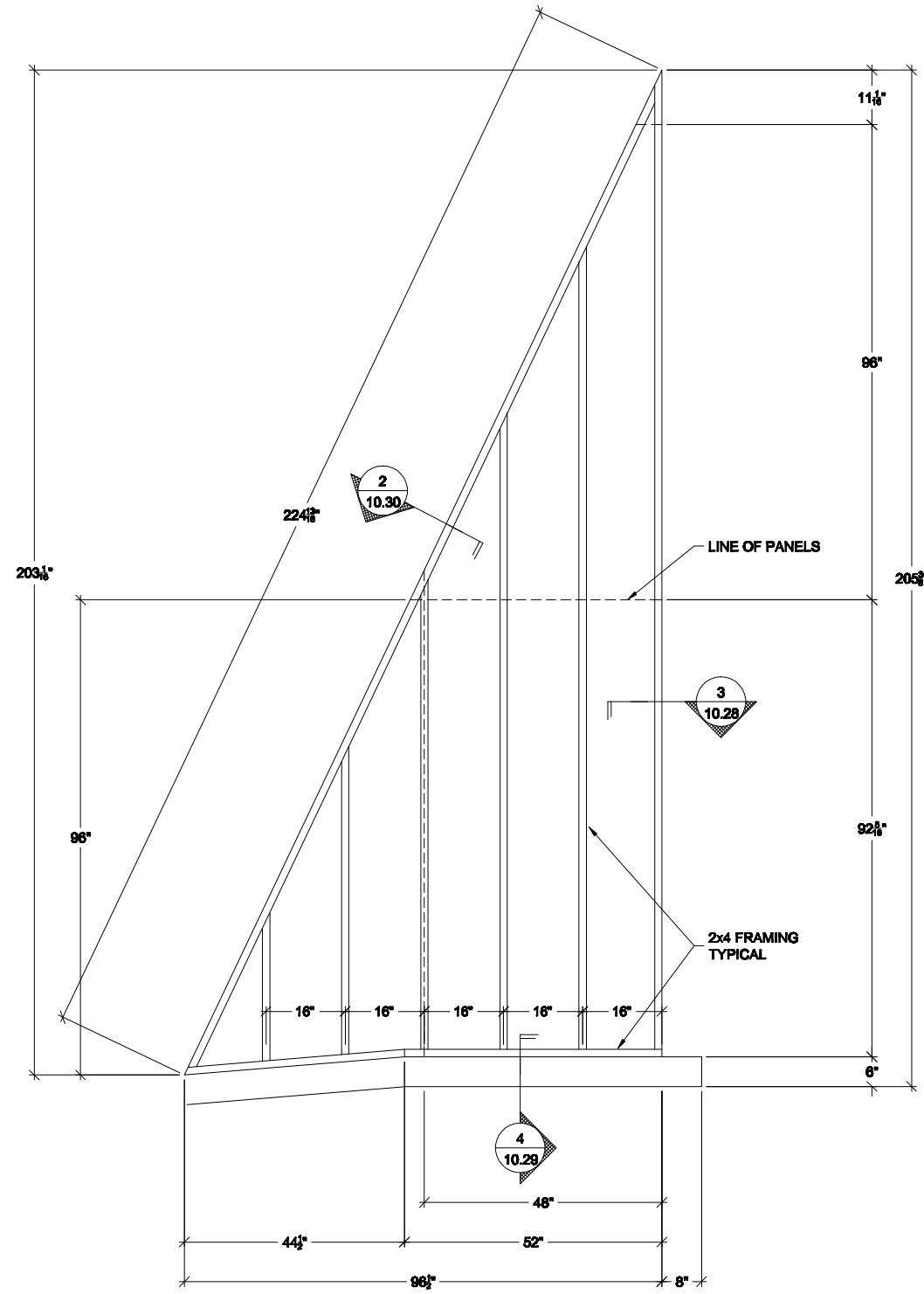
TYPICAL PANEL, BATTON, & FRAMING LAYOUT
 SCALE: 1 1/2" = 12"

1
 10.41

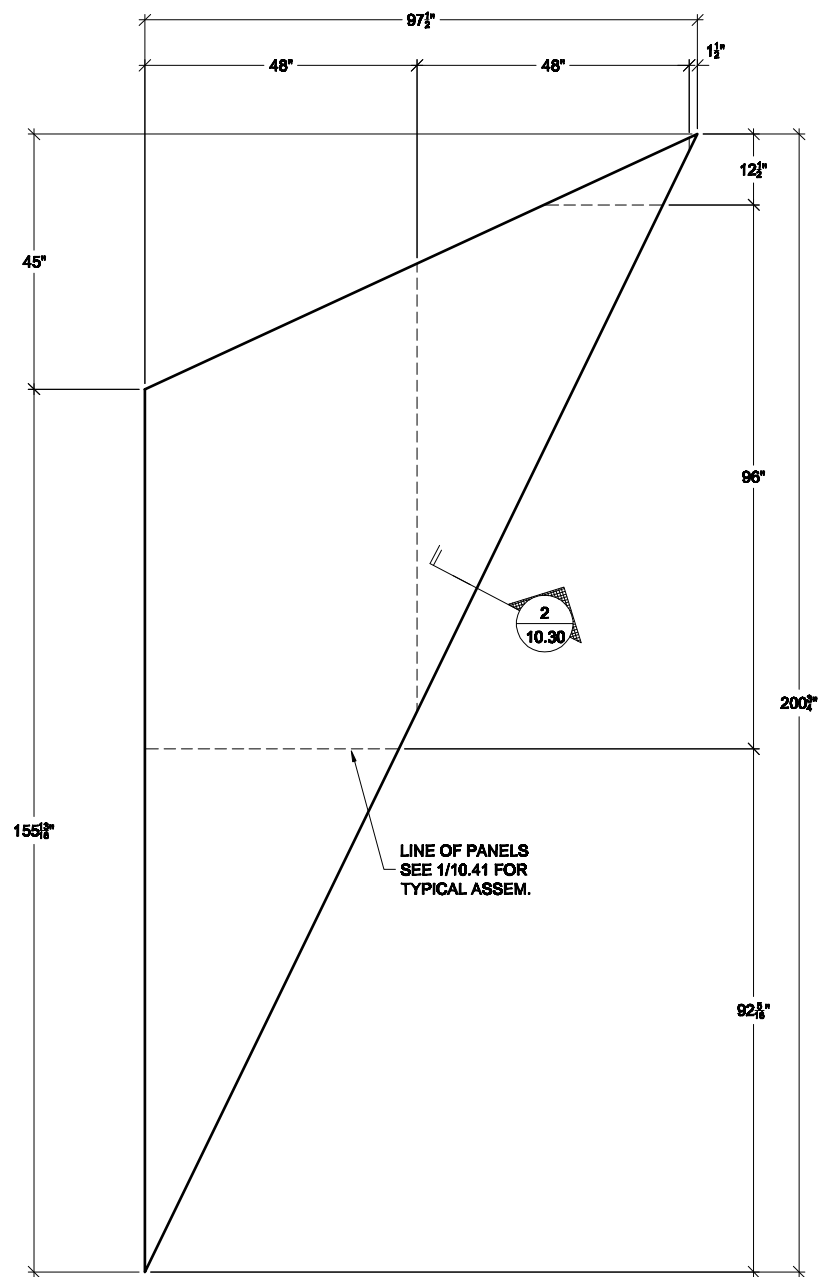
REF: NONE



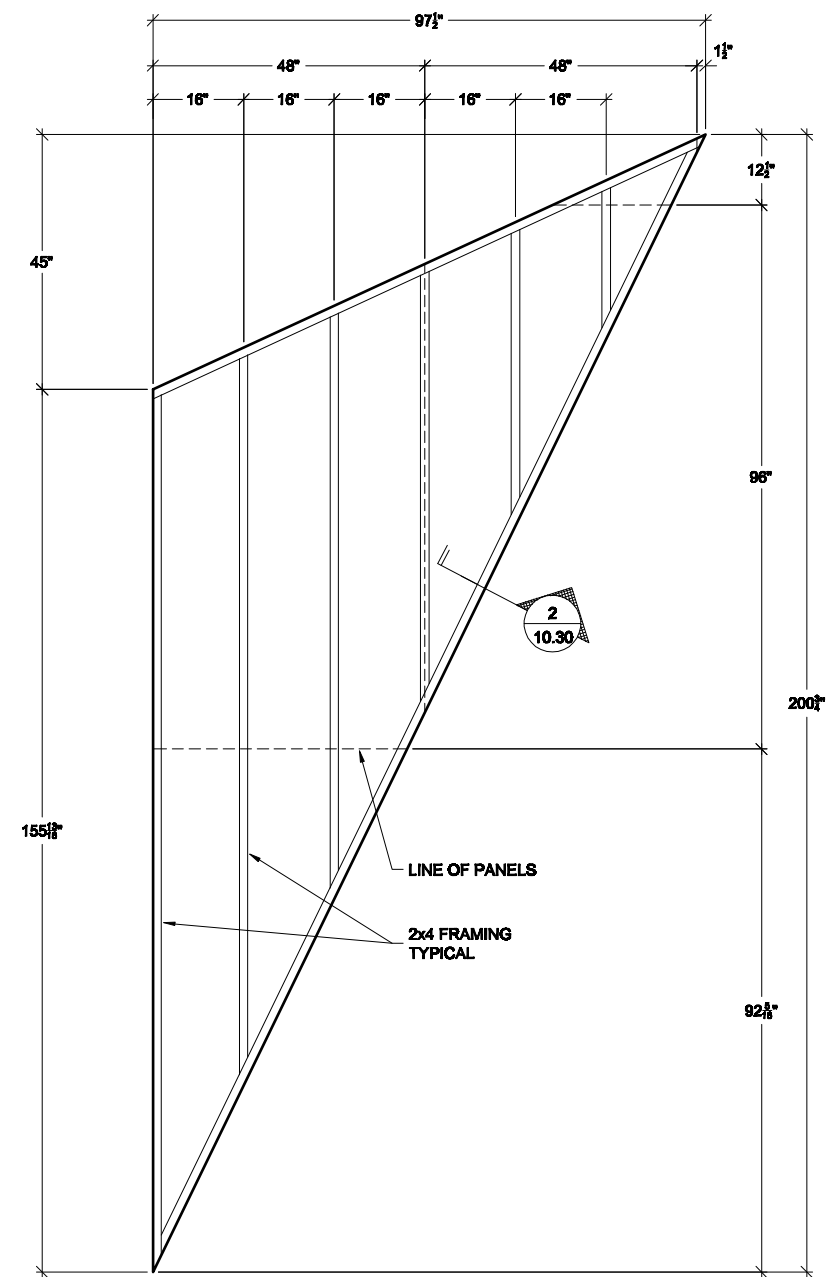
ELEVATION @ PANEL 1.01 PANEL LAYOUT
 SCALE: 3/4" = 12" REF: NONE **1**
 10.42



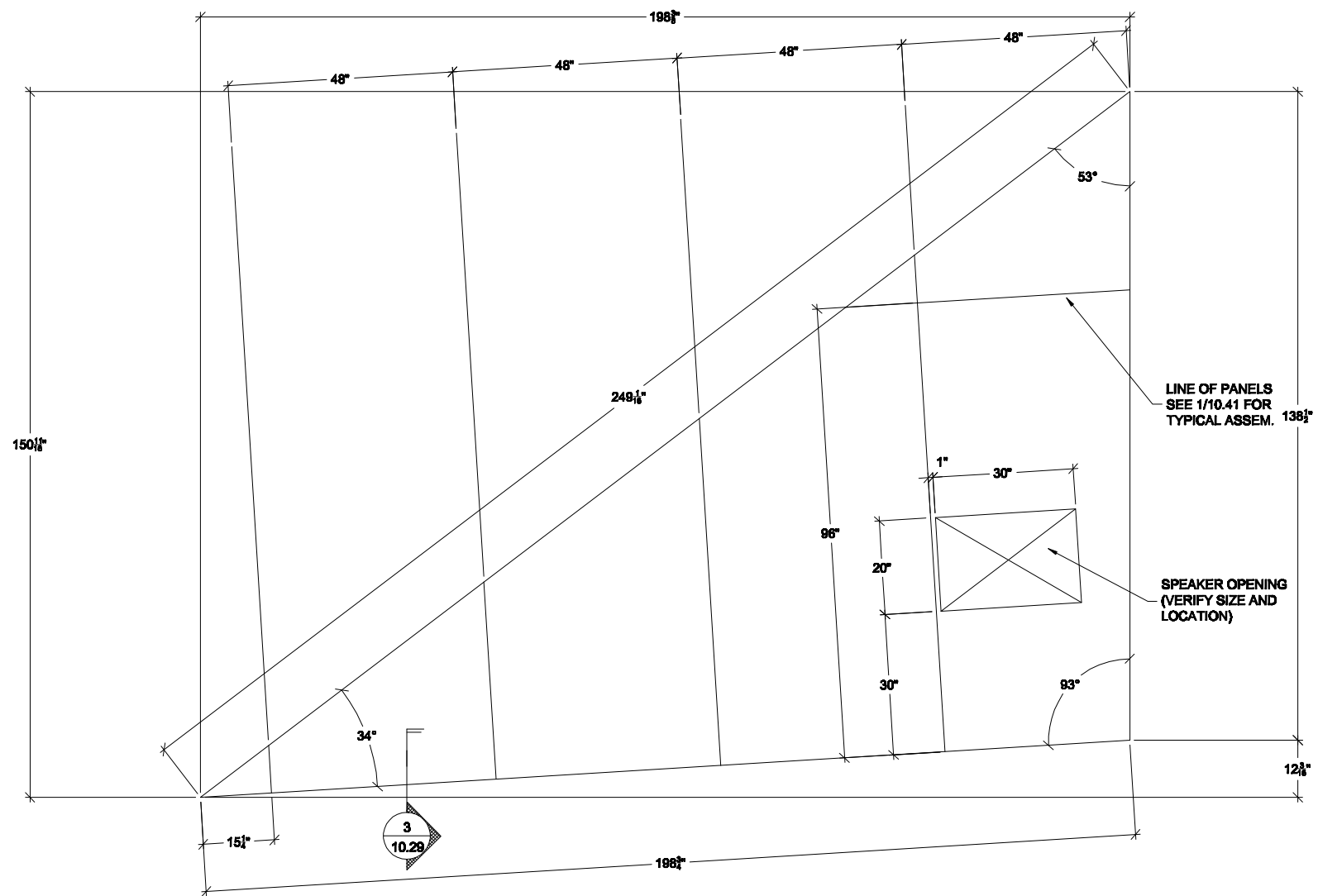
ELEVATION @ PANEL 1.01 FRAMING
 SCALE: 3/4" = 12" REF: NONE **2**
 10.42



ELEVATION @ PANEL 8.02 PANEL LAYOUT
 SCALE: 3/4" = 12" REF: NONE 1
10.43



ELEVATION @ PANEL 8.02 FRAMING
 SCALE: 3/4" = 12" REF: NONE 2
10.43

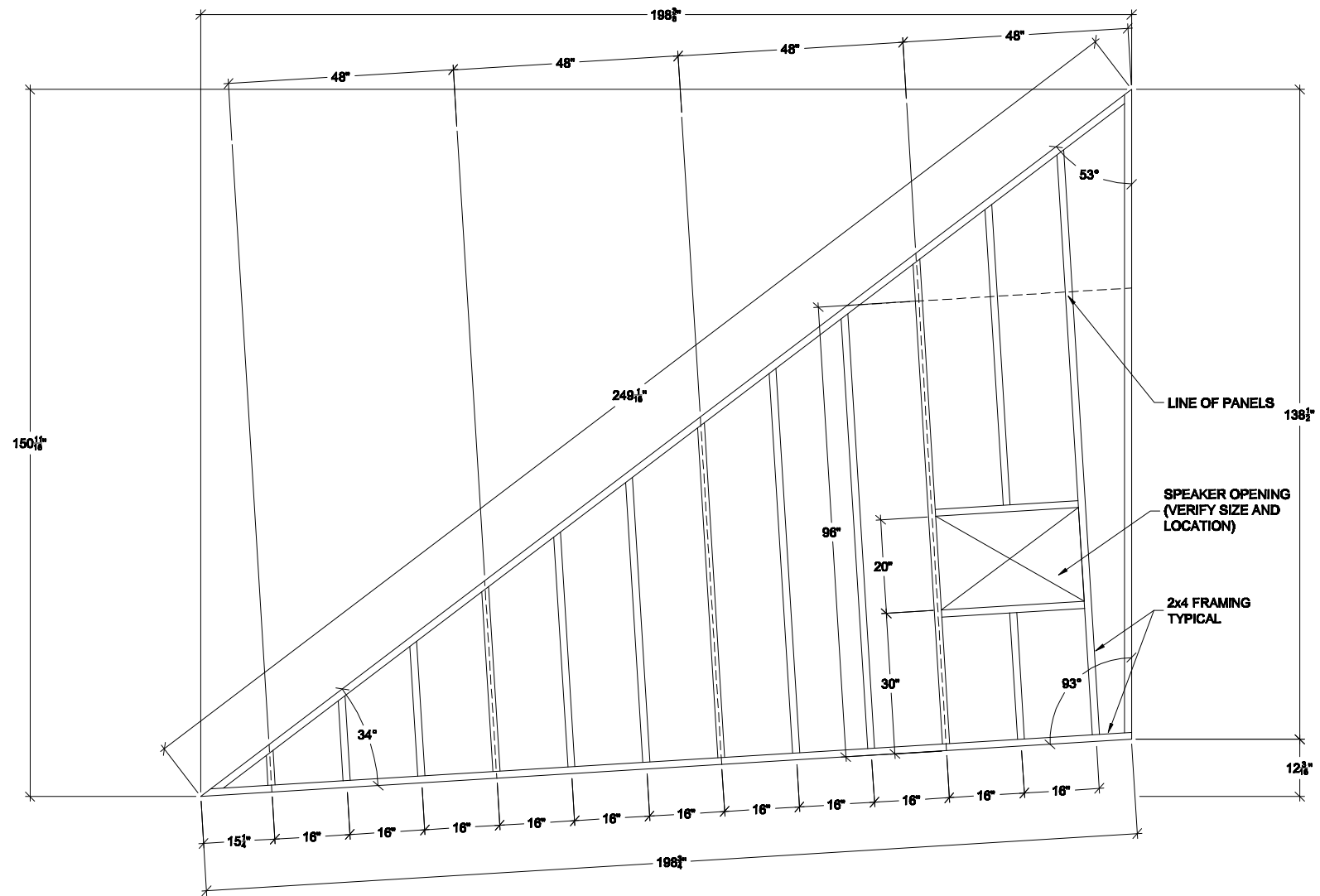


ELEVATION @ PANEL 1.04 PANEL LAYOUT
 SCALE: 3/4" = 12"

1
 10.44

REF: NONE





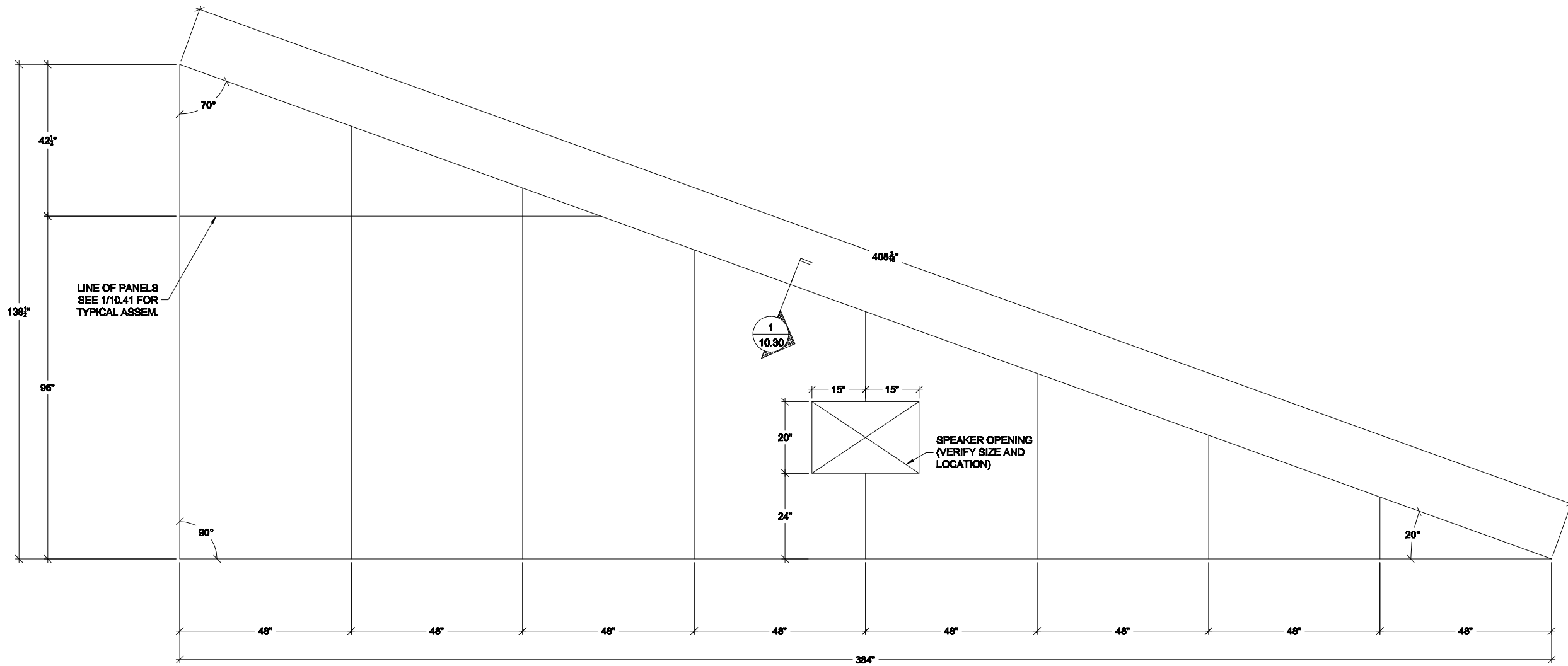
ELEVATION @ PANEL 1.04 FRAMING

SCALE: 3/4" = 12"

REF: NONE

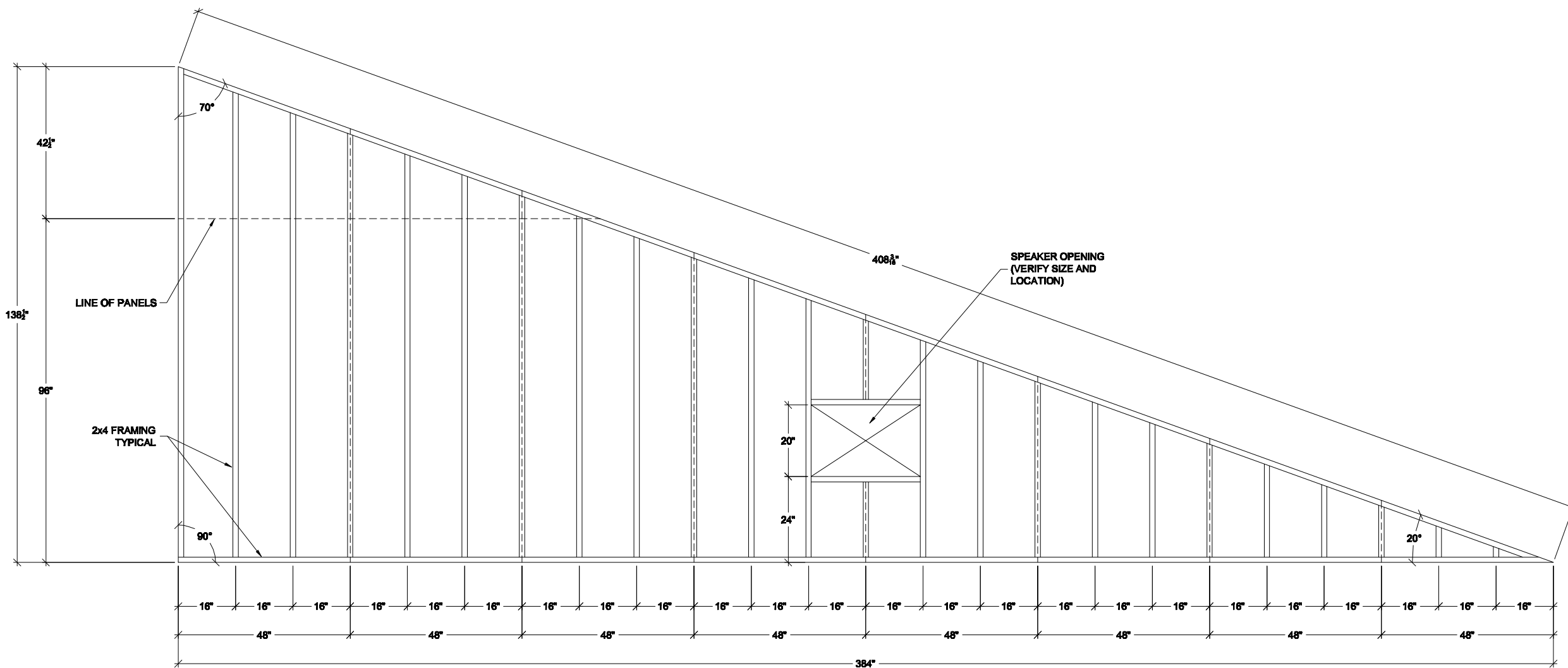
1

10.45



ELEVATION @ PANEL 4.01 PANEL LAYOUT
 SCALE: 3/4" = 12" REF: NONE

1
10.46

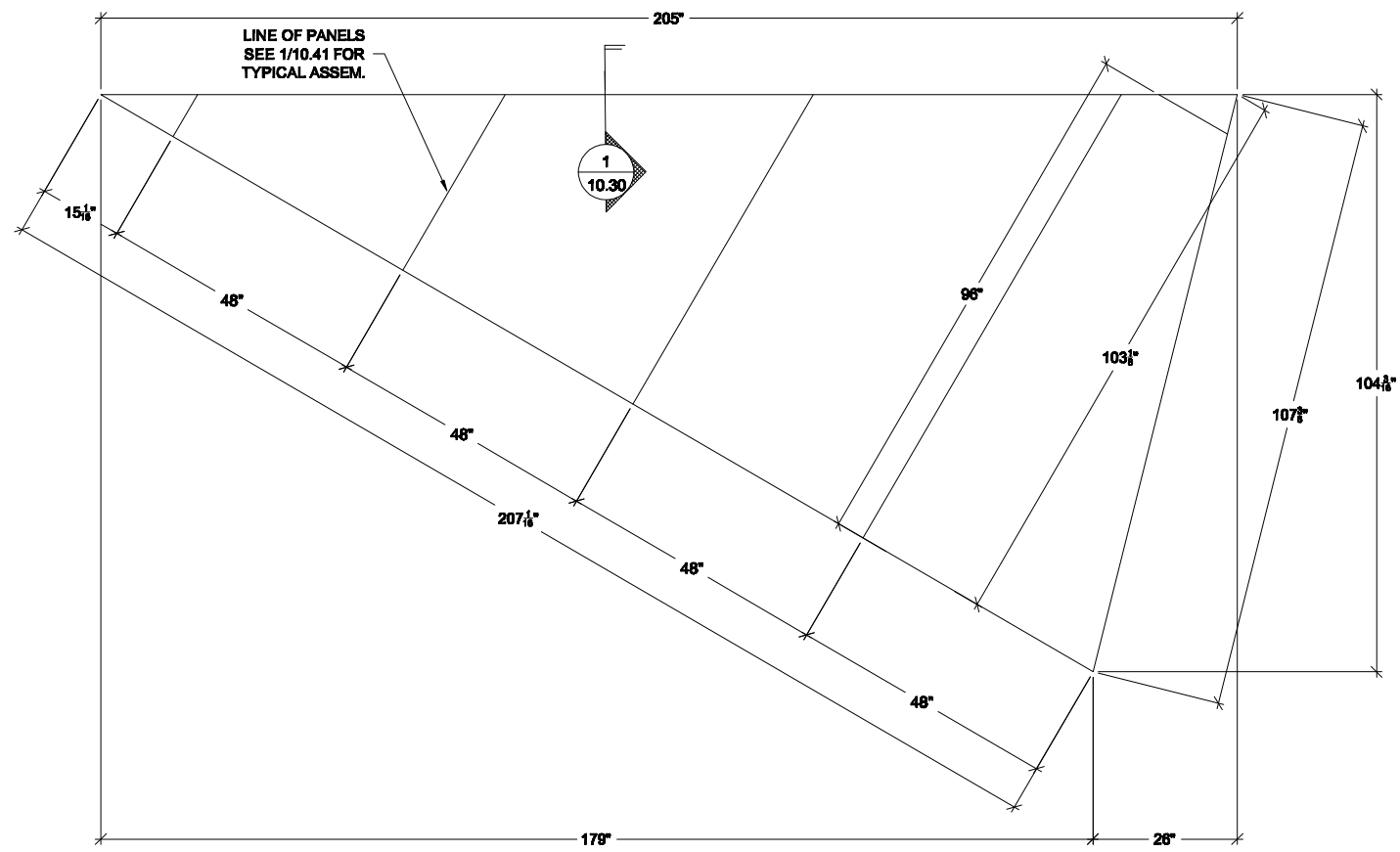


ELEVATION @ PANEL 4.01 FRAMING

SCALE: 3/4" = 12"

REF: NONE

1
10.47



ELEVATION @ PANEL 8.03 PANEL LAYOUT
SCALE: 3/4" = 12" REF: NONE

1
10.48

